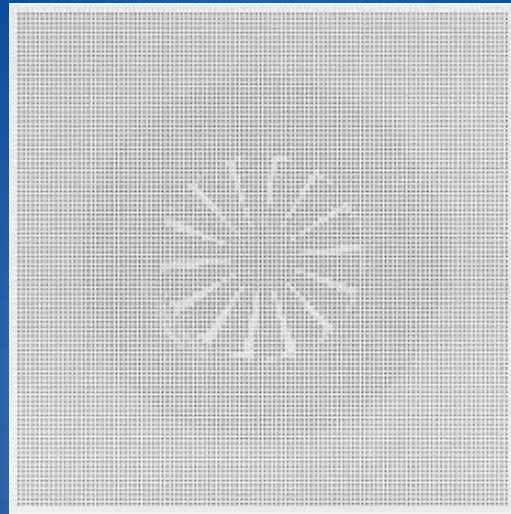


► Air terminal devices ►►



**Simple.
Discreet.
Effective.**

TID TROX Invisible Diffuser

TROX[®] TECHNIK
The art of handling air

► Discreet technology ►►

Aesthetic ceiling appearance

TROX Invisible Diffuser (TID) is the name of the product, as it ensures a perfect, virtually invisible indoor climate.

All the technical parts – such as the swirl element, which ensures uniform air distribution – are concealed by a finely perforated ceiling tile.

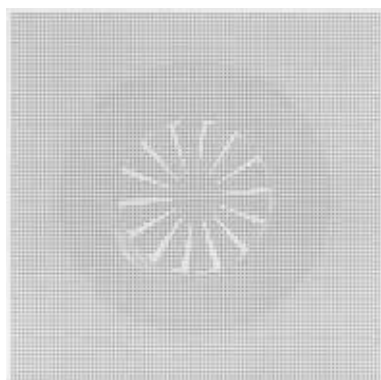
The TID complements many finely perforated ceiling tiles currently available from a range of manufacturers. The retention of the swirl function is ensured by the special nozzle shape.

Thanks to the discreet technology, a fully homogenous ceiling design can be realised – simple elegance.



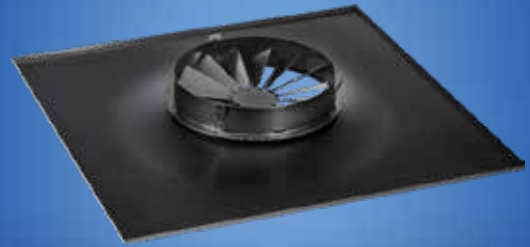
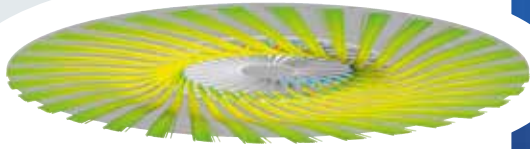
TROX – quality from a single source

The TROX Invisible Diffuser is available ex-works including the plenum box. If the ceiling tile available is not suitable for the TID, the diffuser can also be provided ex-works with a perforated plate.



► Tangible comfort ►►

The swirl element of the TID always ensures a pleasantly homogeneous air supply and a fast reduction in temperature differences and air velocities.



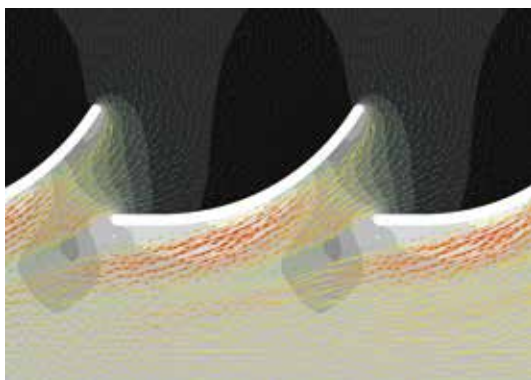
Invisible guarantee of wellbeing

In contrast to air flow concepts with targeted airflows, the swirl-shaped airflow delivers higher induction and thus a faster reduction in temperature differences.

The diffusers enable a maximum room air change rate with optimum climate comfort.

With the TROX Invisible Diffuser, for the first time the positive characteristics of the swirl-shaped airflow can be integrated into standard grid ceilings in a manner that is discreet.

This means greater design freedom and a homogenous ceiling appearance for architects, flexible planning for engineers and simple installation for fitters.



► Tangible benefits ►►

Advantages at a glance

Aesthetic design

- Homogenous ceiling appearance
- Technical properties and functions are independent of the ceiling design
- Uniform ceiling design with technical parts
- Compatible with a range of manufacturers' standard ceiling tiles

Flexible application

- Use as a swirl diffuser with high comfort requirements
- 5 different nozzle sizes available
- Flat design
- Vertical or horizontal connection
- Also available ex-works with a perforated plate

To make sure that the aerodynamic function of the diffuser is not compromised by ceiling tiles in any way, please consult with us before selecting ceiling tiles.



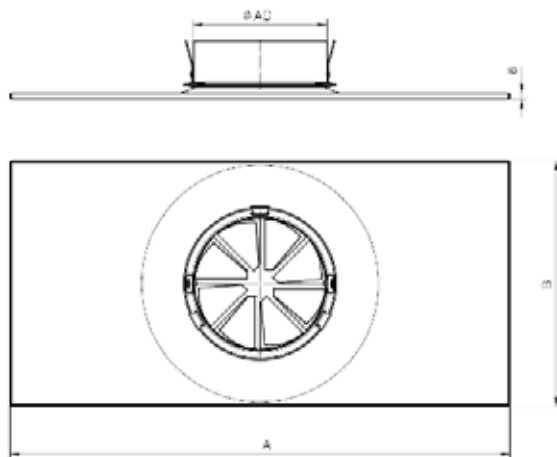
Technical data

►► For the dimensions, see table

Available in 5 nominal widths of 160 – 315 mm

➔ Volume flow rate: 32 – 676 m³/h

►+ Optional design with plenum box or direct vertical connection



The TID is also available in a rectangular design in various panel formats.

Nominal size (ceiling grid)	A	B	Nominal diameter (ø AD)
300 x 300 mm	290 mm	290 mm	125, 160 mm
400 x 400 mm	390 mm	390 mm	125, 160, 200 mm
600 x 600 mm	590 mm	590 mm	125, 160, 200, 250, 315 mm
625 x 625 mm	615 mm	615 mm	125, 160, 200, 250, 315 mm

► Never seen – but often there ►►



Discreet, but effective

Whether in modern office buildings, banks, football stadiums or the careful restoration of listed buildings – the TROX TID is used in many different areas.

Integrated into the architecture so that it is discreet, the swirl diffuser continually and effectively ensures a comfortable indoor climate.

References

- ISLA DE CHAMARTIN office building, Madrid: > 1000 TID diffusers
- Wanda Metropolitano Stadium, Atlético de Madrid: 48 TID diffusers
- Caixa Bank – office building, Barcelona: 110 TID diffusers
- ACCOR Hotels company headquarters, Paris: 42 TID diffusers
- Paseo Castellana office building, Spain: 79 TID diffusers
- HUAWEI research centre, Weilheim: 83 TID diffusers
- TÜV seminar centre, Filderstadt: 80 TID diffusers
- Pink GmbH application and training centre, Wertheim: 60 TID diffusers





TROX[®] TECHNİK

The art of handling air

TROX GmbH

Heinrich-Trox-Platz

47504 Neukirchen-Vluyn, Germany

Phone +49 28 45 202 0

Fax +49 28 45 202 265

trox@trox.de

www.troxtechnik.com