

Fire dampers

Type KA-EU



KA-EU with electric blade opening actuator



Capillary tube sensor



Tested to VDI 6022

For the extract air of commercial kitchens

Rectangular fire damper for use in extract air and exhaust air ducts of commercial kitchens. For the isolation of duct penetrations between fire compartments, available in 16 nominal sizes

- Nominal sizes from 250 × 225 to 1200 × 500 mm
- 100% free area ensures maximum safety
- No differential pressure, low sound power level
- Easy to clean
- Integration into the central BMS with TROXNETCOM

Optional equipment and accessories

- Electric blade opening actuator, 230 V
- Control module

1

Type		Page
KA-EU	General information	1.1 – 153
	Correct use	1.1 – 157
	Order code	1.1 – 159
	Special information – Limit switches	1.1 – 160
	Special information – Electromagnet	1.1 – 161
	Special information – Capillary tube sensor TLR-72	1.1 – 162
	Special information – Control module	1.1 – 163
	Special information – Electric blade opening actuator	1.1 – 164
	Quick sizing	1.1 – 165
	Dimensions and weight – KA-EU	1.1 – 166
	Dimensions and weight – KA-EU/.../Z0*	1.1 – 167
	Specification text	1.1 – 168
	Basic information and nomenclature	1.3 – 1

Variants

Product examples

KA-EU



KA-EU with electric blade opening actuator



Description



KA-EU fire damper

For detailed information on attachments see Chapter K4 – 1.2.

Application

- Fire dampers of Type KA-EU for shutting off extract air and exhaust air ducts of commercial kitchens, with general building inspectorate licence
- To prevent the propagation of fire and smoke through ductwork to adjacent designated fire compartments

Classification

- Fire resistance class K90 to DIN 4102-6

Variants

- With thermal release mechanism
- With thermal release mechanism and control module
- With electric blade opening actuator and control module

Nominal sizes

- 250 × 225 to 1200 × 500 mm
- L: 595 – 880 mm (depending on the selected casing height)

Attachments

- Capillary tube sensor

Special characteristics

- General building inspectorate licence Z-41.3-692
- Tested for fire resistance properties to DIN 4104-6 and EN 1366-2
- 100% free area
- Low differential pressure and sound power level
- Integration into the central BMS with TROXNETCOM

Parts and characteristics

- Installation in horizontal or vertical ducts
- Installation in horizontal ducts with the damper blade at the top and airflow in any direction
- 100% free area, hence low differential pressure
- Secure closure by means of gas struts even when there are deposits
- Release temperature 72 °C

Construction features

- Rigid rectangular casing with installation subframe
- Connecting flanges with fixing holes on both sides, suitable for duct connection
- Scrapers on the damper blade to scrape off greasy deposits etc.
- Damper blade outside of the airflow
- Remote control with electric blade opening actuator

Materials and surfaces

Casing:

- Galvanised sheet steel
- Stainless steel 1.4301

Damper blade:

- Special insulation material faced with stainless steel

Other components:

- Damper blade shafts made of galvanised steel or stainless steel

Installation and commissioning

Install the fire damper according to the original operating and installation manual.

Mortar-based installation:

- In solid walls and ceiling slabs
- In lightweight partition walls with metal support structure and cladding on both sides
- In lightweight fire walls with metal support structure and cladding on both sides

Standards and guidelines

- EN 1366-2:1999 Fire resistance tests for service installations – Fire dampers
- DIN 4102-6, standard fire resistance test
- EN 1751 Ventilation for buildings – Air terminal devices
- VDI 2052 Ventilation equipment for kitchens

Maintenance

- The functional reliability of the fire damper must be tested at least every six months; this has to be arranged by the owner of the ventilation system; functional tests must be carried out in compliance with the basic maintenance principles stated in EN 13306 and DIN 31051. If two consecutive tests, one 6 months after the other, are successful, the next test can be conducted one year later.
- A functional test involves closing the damper blade and opening it again; with electric blade opening actuator this can be done via remote control
- Fire dampers must be included in the regular cleaning schedule of the ventilation system.
- For details on maintenance and inspection, refer to the installation and operating manual

Technical data

Nominal sizes	250 × 225 – 1200 × 500 mm
Volume flow rate range	Up to 6000 l/s or 21600 m ³ /h
Operating temperature	10 – 50 °C
Release temperature	72 °C

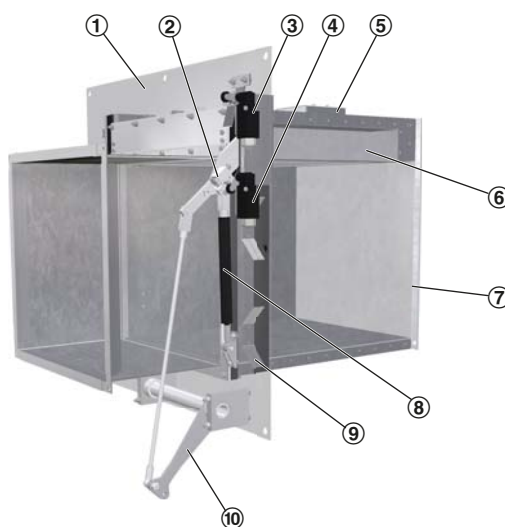
Function

Construction
for manual operation

Functional description

In the event of a fire, fire dampers shut automatically to prevent the propagation of fire and smoke through ductwork to adjacent designated fire compartments. When in the event of a fire the temperature rises to 72 °C, a capillary tube sensor interrupts the power supply to the electromagnet, and the damper blade is released. While power is being supplied to the electromagnets, the fire damper can be opened with the blade opening lever. The release mechanism is accessible and can be tested from the outside.

Schematic illustration of KA-EU



- | | |
|---|-----------------------------|
| ① Mounting plate | ⑥ Damper blade with scraper |
| ② Spring tab | ⑦ Casing |
| ③ Limit switch for damper blade position CLOSED | ⑧ Gas strut |
| ④ Limit switch for damper blade position OPEN | ⑨ Fixing tab |
| ⑤ Electromagnet | ⑩ Setting lever |

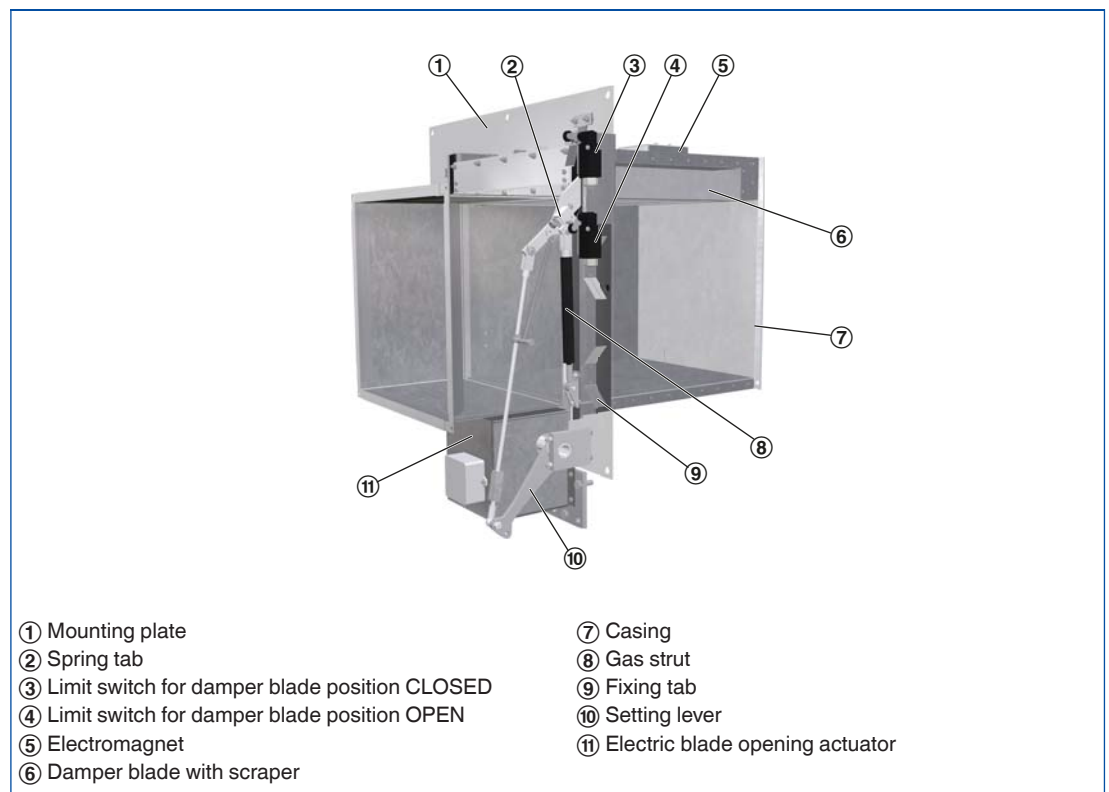
Function

Construction with electric blade opening actuator

Functional description

The blade opening actuator is used for the motorised opening of the fire damper; for maintenance and functional tests it can receive signals from the central BMS. When in the event of a fire the temperature rises to 72 °C, a capillary tube sensor interrupts the power supply to the electromagnet, and the damper blade is released. If power is supplied to the blade opening actuator and to the electromagnets, the actuator can move the damper blade into the OPEN position. If the voltage to the electromagnets is interrupted, the damper blade closes (power off to close). The supplied limit switches can be used for indicating the damper blade position and for switching off the fans.

Schematic illustration of the KA-EU with electric blade opening actuator


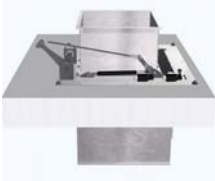



1


Design information

- Only for use in extract air and exhaust air ducts of commercial kitchens
- Fire resistance class K90 can only be achieved with ducts connected on both ends
- Ducting must be installed in such a manner that it does not impose any significant loads on the fire damper in the event of a fire.

Correct use in solid walls and ceiling slabs

Installation location	Construction and building material	Minimum thickness	Fire resistance class	Direction of airflow
		mm		
Solid walls	 <p>Solid walls in concrete, aerated concrete or lightweight concrete, gross density $\geq 500 \text{ kg/m}^3$</p>	100	K90	either direction
	<p>Solid brick walls</p>	115	K90	either direction
Solid ceiling slabs, upright	 <p>Solid walls in concrete or aerated concrete, solid ceiling slab, gross density $\geq 600 \text{ kg/m}^3$</p>	150	K90	from below
Solid ceiling slabs, suspended	 <p>Solid walls in concrete or aerated concrete, solid ceiling slab, gross density $\geq 600 \text{ kg/m}^3$</p>	150	K90	either direction

Correct use in lightweight partition walls

Installation location		Construction and building material	Minimum thickness	Fire resistance class	Direction of airflow
			mm		
Lightweight partition walls with metal support structure and cladding on both sides		Lightweight partition walls	100	K90	either direction
Fire walls with metal support structure and cladding on both sides		Fire walls	115	K90	either direction

Order code

KA-EU

KA - EU - 2 / DE / 400x300x680 / Z01

1

2

3

4

5

1 Type

KA-EU Fire damper for the extract air of commercial kitchens

2 Material

No entry: galvanised casing
2 Stainless steel 1.4301

3 Country of destination

DE Germany
Other destination countries upon request

4 Nominal size [mm]

B × H × L

5 Attachments

Z00 Standard construction
Z01 With control module
Z02 With electric blade opening actuator and control module

Order example

KA-EU-2/DE/500x500x880/Z02

Construction	Stainless steel casing
Country of destination	Germany
Nominal size	500 × 500 × 880 mm
Attachment	With electric blade opening actuator and control module

Description

Application

- The fire damper is equipped with two limit switches.
- Limit switch for damper blade position CLOSED: This limit switch can be used to indicate the damper blade position. Up to the maximum switch rating, relays or indicator lights for fire alarm systems can be used
- Limit switch for damper blade position OPEN: This limit switch is connected with the fan and ensures that the fan runs only while the damper blade is completely open.

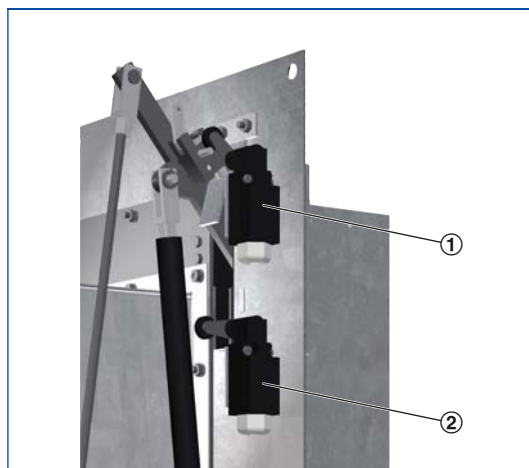
Technical data

Limit switch

Connecting cable length/cross section	1 m/3 × 1.0 mm ²
Protection level	IP 67
Type of contact	Double pole changeover contact, silver
Maximum switching current	4 A
Maximum switching voltage	24 V DC, 230 V AC

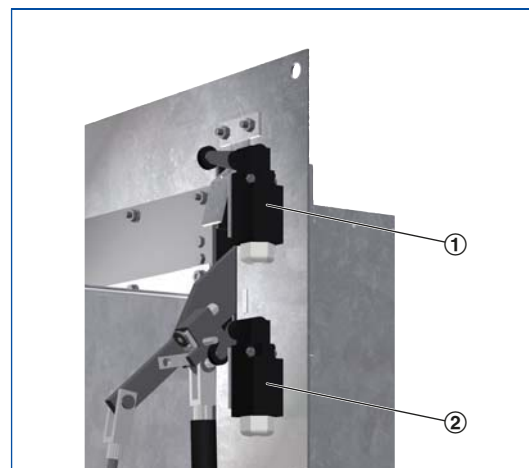
Function

KA-EU when CLOSED



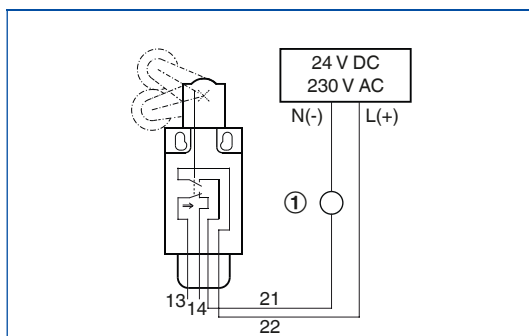
- ① Damper blade position CLOSED, limit switch not actuated
- ② Damper blade position OPEN, limit switch actuated

KA-EU when OPEN



- ① Damper blade position CLOSED, limit switch actuated
- ② Damper blade position OPEN, limit switch not actuated

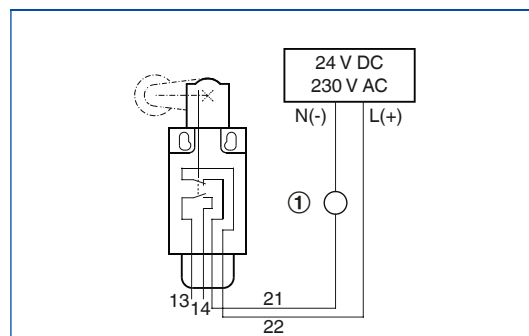
Wiring example – limit switch actuated



- ① Limit switch for damper blade position CLOSED - Indicator light or relay, to be provided by others
- Limit switch for damper blade position OPEN - Fan, to be provided by others

Contacts 21 – 22 are open

Wiring example – limit switch not actuated



- ① Limit switch for damper blade position CLOSED - Indicator light or relay, to be provided by others
- Limit switch for damper blade position OPEN - Fan, to be provided by others

Contacts 21 – 22 closed

Description

Application

- The electromagnet Type 500-15 is to be connected to a capillary tube sensor Type TLR-72.
- As long as power is supplied to the electromagnet, the magnetic force holds the damper blade open.
- If the power supply is interrupted, the magnetic force fails, and the damper blade closes.
- As standard, casing widths of $B > 600$ mm are equipped with 2 electromagnets.

Installation information

- Electromagnets should always be accessible

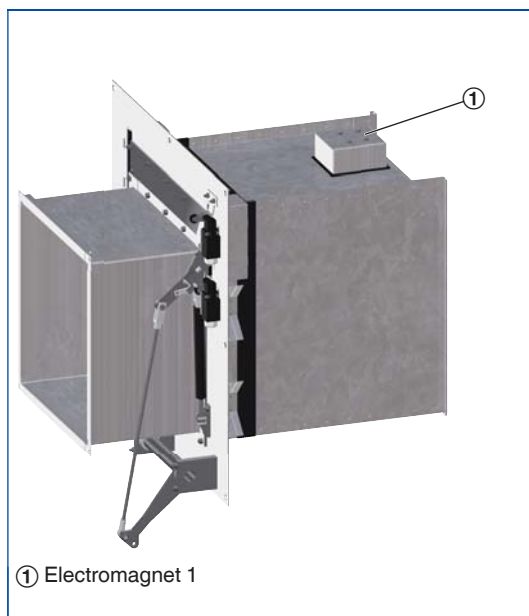
Technical data

Electromagnet

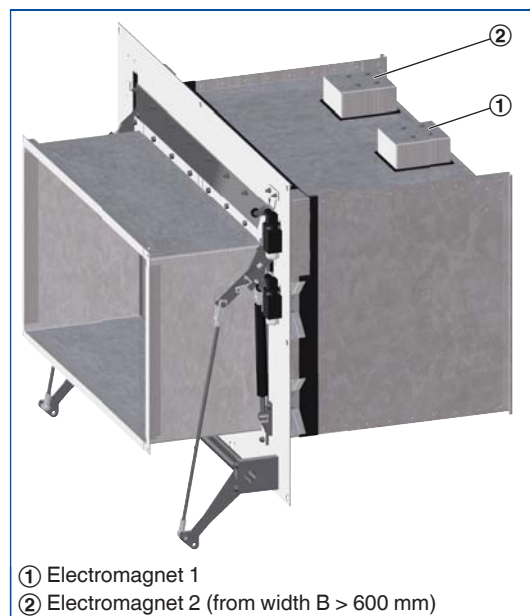
Cable type	Flexible, max. 3×1.0 mm ²
Max. duty cycle	100 %
Electromagnetic force	490 N
Type of connection	Plug-in rectifier
Supply voltage	230 V AC ± 10 %

Function

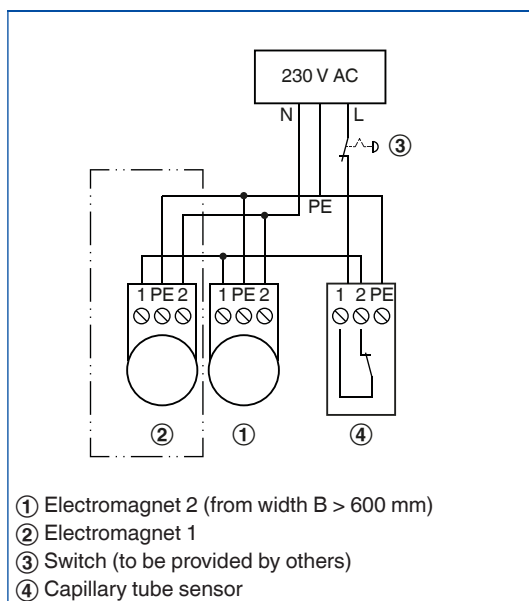
Electromagnet



Electromagnet



Wiring example – electromagnet CLOSED



Description

Application

- If in the event of a fire the temperature in the extract air duct rises to 72 °C, the capillary tube sensor interrupts the power supply to the electromagnet
- As a consequence, the damper blade is released and is closed by force of the gas strut or struts.
- The capillary tube sensor consists of a protective coil and a flange such that it can be fitted inside the duct
- Distance to the fire damper: ≥ 500 mm
- Depending on the installation location of the fire damper, several capillary tube sensors may be required
- Up to 10 capillary tube sensors can be connected in series
- Additional capillary tube sensors must be ordered separately

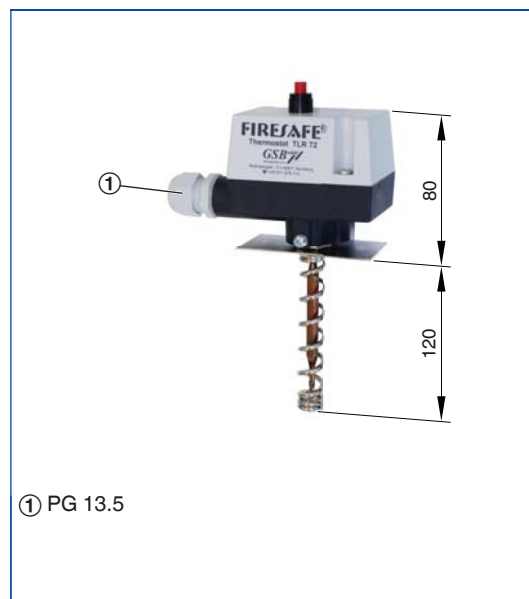
Technical data

Capillary tube sensor TLR-72

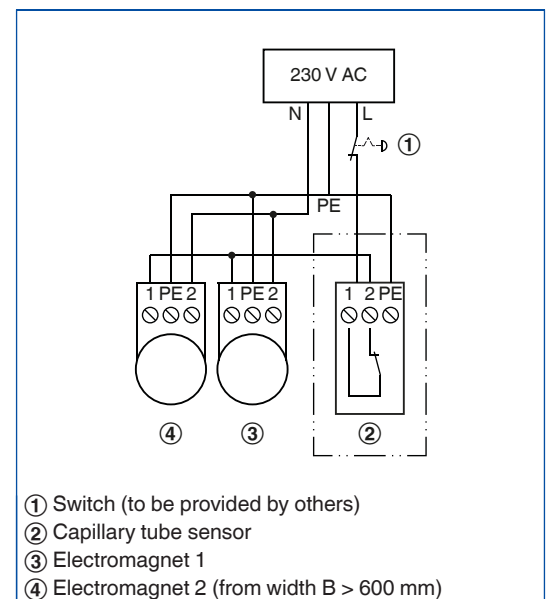
Temperature range	Set to 72 °C
Supply voltage	24 – 250 V AC/50 Hz
Breaking capacity	150 mA – 15 A at 24 V AC/150 mA – 8 A at 250 V AC
Protection level	IP 54
IEC protection class	I (protective earth)
Contact	Changeover
Bulb and capillary tube	Copper
Sensor temperature	82 °C
Ambient temperature	-15 to 80 °C

Function

Capillary tube sensor



Wiring example – capillary tube sensor CLOSED



Description

Application

- The control module facilitates operating fire dampers with or without electric blade opening actuator
- Indicator lights on the control module indicate the damper blade position as well as any faults
- The fire damper can be tested and reset using the two push buttons on the module

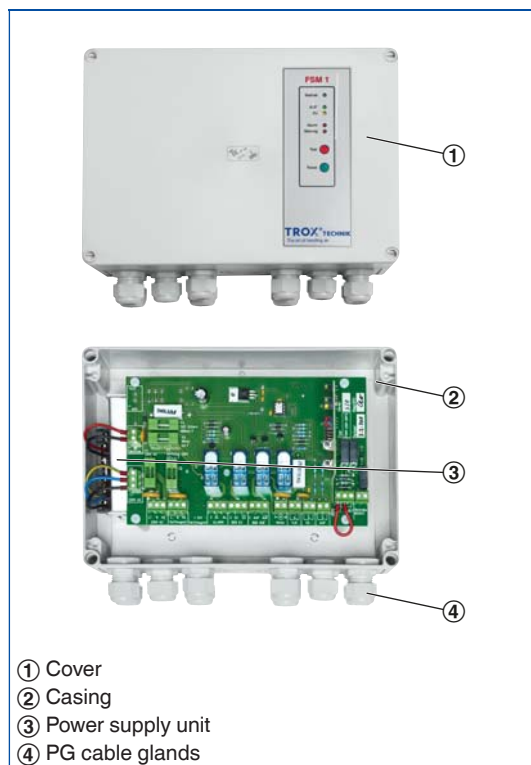
Technical data

Control module

Supply voltage	230 V AC, 50 – 60 Hz
Power consumption	200 VA max.
Switching voltage	230 V AC max.
Switching current	2 A max.
IEC protection class	I (protective earth)
Protection level	IP 54
Operating temperature	5 to 40 °C
Casing and cover	Plastic
Mounting	For surface mounting
Cable glands	10 × PG20
Dimensions B × H × T	180 × 260 × 110 mm

Function

Control module



- ① Cover
- ② Casing
- ③ Power supply unit
- ④ PG cable glands

Description



KA-EU with electric blade opening actuator

Application

- The electric blade opening actuator simplifies operation during maintenance and functional tests.
- The required control module facilitates operation of the fire damper and is used to signal the damper blade position to the central BMS.
- If the supply voltage fails, or with thermoelectric release, the damper closes (power off to close)

Installation information

The blade opening actuator can be mounted on the transverse bar in various positions:

- To the right of the damper, top position or bottom position
- To the left of the damper, top position or bottom position
- In the centre, right underneath the damper

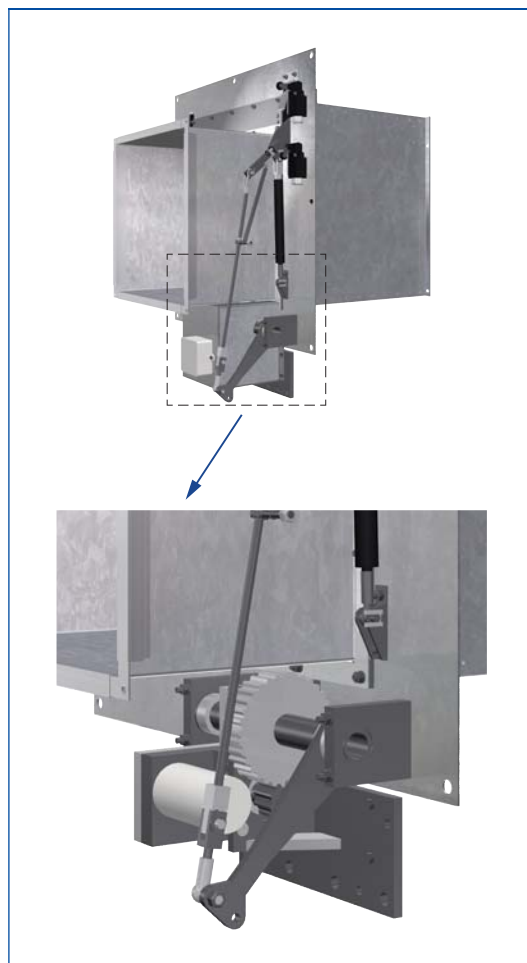
Technical data

Electric blade opening actuator

Supply voltage	From the control module
Protection level	IP 50
Insulation class	E (120 °C)
Dimensions B x H x T	270 x 225 x 200 mm

Function

Electric blade opening actuator



Quick selection

Duct dimensions B × H [mm]	Volume flow rate \dot{V} [l/s]						Volume flow rate \dot{V} [m ³ /h]					
	Airflow velocity v_A [m/s]											
	5	6	7	8	9	10	5	6	7	8	9	10
250 × 225	280	340	390	450	505	560	1008	1224	1404	1620	1818	2016
300 × 225	340	410	470	540	610	675	1224	1476	1692	1944	2196	2430
300 × 300	450	540	630	720	810	900	1620	1944	2268	2592	2916	3240
400 × 300	600	720	840	960	1080	1200	2160	2592	3024	3456	3888	4320
400 × 400	800	960	1120	1280	1440	1600	2880	3456	4032	4608	5184	5760
500 × 400	1000	1200	1400	1600	1800	2000	3600	4320	5040	5760	6480	7200
600 × 400	1200	1440	1680	1920	2160	2400	4320	5184	6048	6912	7776	8640
700 × 400	1400	1680	1960	2240	2520	2800	5040	6048	7056	8064	9072	10080
500 × 500	1250	1500	1750	2000	2250	2500	4500	5400	6300	7200	8100	9000
600 × 500	1500	1800	2100	2400	2700	3000	5400	6480	7560	8640	9720	10800
700 × 500	1750	2100	2450	2800	3150	3500	6300	7560	8820	10080	11340	12600
800 × 500	2000	2400	2800	3200	3600	4000	7200	8640	10080	11520	12960	14400
900 × 500	2250	2700	3150	3600	4050	4500	8100	9720	11340	12960	14580	16200
1000 × 500	2500	3000	3500	4000	4500	5000	9000	10800	12600	14400	16200	18000
1100 × 500	2750	3300	3850	4400	4950	5500	9900	11880	13860	15840	17820	19800
1200 × 500	3000	3600	4200	4800	5400	6000	10800	12960	15120	17280	19440	21600

Sizing example

Given data	Quick sizing
Volume flow rate: 4320 m ³ /h (1200 l/s)	KA-EU / DE / 400 × 400
Permitted airflow velocity: 8 m/s	

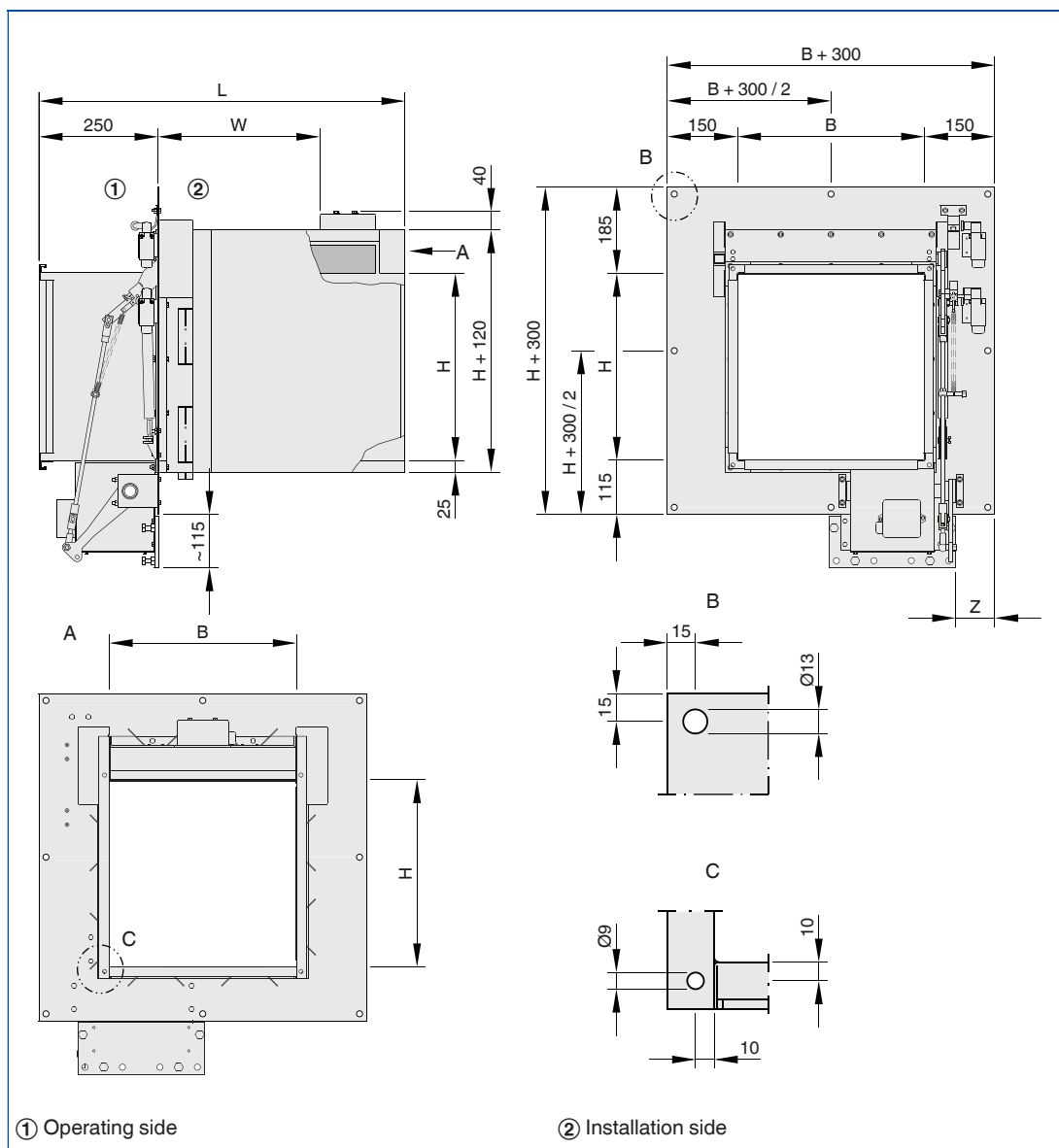
Dimensions

1



KA-EU with electric blade opening actuator

KA-EU with electric blade opening actuator



Dimensions [mm] / Weight [kg]

H	B	L	W	Z	Weight
225	250	595	160	85	37
225	300	595	160	85	39
300	300	680	235	85	41
300	400	680	235	85	51
400	400	780	335	85	56
400	500	780	335	85	64
400	600	780	335	85	70
400	700	780	335	285	81
500	500	880	435	85	71
500	600	880	435	85	79
500	700	880	435	285	90
500	800	880	435	335	96
500	900	880	435	385	102
500	1000	880	435	435	110
500	1100	880	435	485	116
500	1200	880	435	535	121

Description

This specification text describes the general properties of the product.

Square or rectangular fire dampers for the isolation of extract air or exhaust air duct penetrations in commercial kitchens. With flanges for installation in horizontal or vertical ducts. Secure closure by means of gas struts even when there are deposits. Tested for fire resistance properties to DIN 4102-6 and EN 1366-2, fire resistance class K90; casing made of sheet steel, stainless steel as an option. Low-leakage damper blade made of special insulation material faced with stainless steel. Scrapers on the damper blade to scrape off greasy deposits etc. Thermal release mechanism 72 °C. Two electric limit switches for capturing damper blade positions CLOSED and OPEN as well as for switching the fan off; electric blade opening actuator and control module as options. For mortar-based installation into solid walls and ceiling slabs, and into lightweight partition walls and fire walls with metal support structure and cladding on both sides.

Special characteristics

- General building inspectorate licence Z-41.3-692
- Tested for fire resistance properties to DIN 4104-6 and EN 1366-2
- 100% free area
- Low differential pressure and sound power level
- Integration into the central BMS with TROXNETCOM

Materials and surfaces

Casing:

- Galvanised sheet steel
- Stainless steel 1.4301

Damper blade:

- Special insulation material faced with stainless steel

Other components:

- Damper blade shafts made of galvanised steel or stainless steel

Technical data

- Nominal sizes: 250 × 225 – 1200 × 500 mm
- Volume flow rate range: up to 6000 l/s or 21600 m³/h
- Operating temperature: 10 to 50 °C
- Release temperature: 72 °C

Sizing data

- \dot{V} _____ [m³/h]
- Δp_{st} _____ [Pa]
- L_{WA} Air-regenerated noise _____ [dB(A)]

Order options

1 Type

KA-EU Fire damper for the extract air of commercial kitchens

2 Material

- No entry: galvanised casing
- 2** Stainless steel 1.4301

3 Country of destination

- DE** Germany
- Other destination countries upon request

4 Nominal size [mm]

B × H × L

5 Attachments

- Z00** Standard construction
- Z01** With control module
- Z02** With electric blade opening actuator and control module

Fire dampers

Basic information and nomenclature



- Product selection
- Principal dimensions
- Nomenclature
- Colour codes according to IEC 60757
- Sizing

Fire dampers

Basic information and nomenclature

Product selection

Fire dampers

Usage			Type							
Installation location	Construction/ building material	Minimum thickness	FK-EU				FKS-EU		FKR-EU	
			Mortar-based installation		Dry mortarless installation		Mortar-based installation	Dry mortarless installation	Mortar-based installation	Dry mortarless installation
		perimeter	partially ⁵	Fire batt	Installation kit ²	perimeter	Installation kit ²	perimeter	Installation kit ²	
		mm	Fire resistance class							
In solid walls	Walls/gross density $\geq 500 \text{ kg/m}^3$	100	EI 90 S	EI 90 S	EI 120 S	EI 90 S	EI 120 S	EI 90 S	EI 120 S	-
In solid walls with movement joint	Walls/gross density $\geq 500 \text{ kg/m}^3$	100	EI 90 S	-	-	-	-	-	-	-
On the face of solid walls	Walls/gross density $\geq 500 \text{ kg/m}^3$	100	-	-	-	EI 90 S	-	-	-	-
Adjacent to solid walls ¹	Walls/gross density $\geq 500 \text{ kg/m}^3$	100	-	-	-	EI 90 S	-	-	-	-
Remote from solid walls ¹	Walls/gross density $\geq 500 \text{ kg/m}^3$	100	-	-	-	EI 90 S	-	-	-	-
In solid ceiling slabs	Ceiling slabs/gross density $\geq 600 \text{ kg/m}^3$	125	EI 90 S	-	-	-	-	-	-	-
	Ceiling slabs/gross density $\geq 600 \text{ kg/m}^3$	150	EI 90 S	-	EI 120 S	-	EI 120 S	EI 90 S	EI 120 S	-
In solid ceiling slabs, with concrete base	Ceiling slabs/gross density $\geq 600 \text{ kg/m}^3$	125	EI 90 S	-	-	-	EI 90 S	-	EI 90 S	-
Lightweight partition walls with metal support structure and cladding on both sides	Lightweight partition walls	100	EI 90 S	-	EI 120 S	EI 90 S	EI 90 S	EI 90 S	EI 90 S	EI 90 S
Lightweight partition walls with metal support structure and cladding on both sides, flexible ceiling joint ¹	Lightweight partition walls	100	-	-	-	EI 90 S	-	-	-	-
Fire walls with metal support structure and cladding on both sides	Fire walls	115	EI 90 S	-	-	EI 90 S	EI 90 S	EI 90 S	EI 90 S	EI 90 S
Lightweight partition walls with metal support structure and cladding on one side	Shaft walls	90	-	-	-	EI 90 S	EI 90 S	EI 90 S	EI 90 S	EI 90 S
Lightweight partition walls without metal support structure but with cladding on one side	Shaft walls	40 or 50 ⁴	-	-	-	EI 90 S	-	-	EI 90 S	EI 90 S
In self supporting fire-resistant suspended ceilings	Tile ceilings, screw-fixed and primed	-	-	-	-	-	-	-	-	-
	Lay-in ceiling tiles made of panel materials	-	-	-	-	-	-	-	-	-
	Metal ceilings	-	-	-	-	-	-	-	-	-

¹ Not for FK-EU as air transfer damper

² Installation kit for the selected installation situation

³ For ØDN 100 to 200 in lightweight partition wall with metal support structure and mineral wool

⁴ 50 only for FKR-EU

⁵ Additional mineral wool

Fire dampers

Basic information and nomenclature

Product selection Fire dampers

1

Usage			Type						
Installation location	Construction/building material	Minimum thickness	FKRS-EU			FV-EU	KA-EU	FVZ-K30	KU-K30
			Mortar-based installation	Dry mortarless installation		Mortar-based installation			Dry mortarless installation
				perimeter	Fire batt	Installation kit ²	perimeter	Mortar-based installation	
		mm	Fire resistance class						
In solid walls	Walls/gross density $\geq 500 \text{ kg/m}^3$	100	EI 120 S	EI 120 S ³ , EI 90 S	EI 90 S	EI 120 S	K90	-	-
In solid walls with movement joint	Walls/gross density $\geq 500 \text{ kg/m}^3$	100	-	-	-	-	-	-	-
On the face of solid walls	Walls/gross density $\geq 500 \text{ kg/m}^3$	100	EI 90 S	-	EI 90 S	-	-	-	-
Adjacent to solid walls ¹	Walls/gross density $\geq 500 \text{ kg/m}^3$	100	-	-	-	-	-	-	-
Remote from solid walls ¹	Walls/gross density $\geq 500 \text{ kg/m}^3$	100	-	-	-	-	-	-	-
In solid ceiling slabs	Ceiling slabs/gross density $\geq 600 \text{ kg/m}^3$	125	-	-	-	-	-	-	-
	Ceiling slabs/gross density $\geq 600 \text{ kg/m}^3$	150	EI 120 S	EI 120 S ³ , EI 90 S	EI 90 S	EI 120 S	K90	-	-
In solid ceiling slabs, with concrete base	Ceiling slabs/gross density $\geq 600 \text{ kg/m}^3$	125	-	-	-	-	-	-	-
Lightweight partition walls with metal support structure and cladding on both sides	Lightweight partition walls	100	EI 120 S ³ , EI 90 S	EI 120 S ³ , EI 90 S	EI 120 S ³ , EI 90 S	EI 120 S	K90	-	-
Lightweight partition walls with metal support structure and cladding on both sides, flexible ceiling joint ¹	Lightweight partition walls	100	-	-	EI 90 S	-	-	-	-
Fire walls with metal support structure and cladding on both sides	Fire walls	115	EI 90 S	-	EI 90 S	-	K90	-	-
Lightweight partition walls with metal support structure and cladding on one side	Shaft walls	90	EI 90 S	-	EI 90 S	-	-	-	-
Lightweight partition walls without metal support structure but with cladding on one side	Shaft walls	40 or 50 ⁴	-	-	-	-	-	-	-
In self supporting fire-resistant suspended ceilings	Tile ceilings, screw-fixed and primed	-	-	-	-	-	-	K30-U	K30-U
	Lay-in ceiling tiles made of panel materials	-	-	-	-	-	-	K30-U	K30-U
	Metal ceilings	-	-	-	-	-	-	K30-U	K30-U

¹ Not for FK-EU as air transfer damper

² Installation kit for the selected installation situation

³ For ØDN 100 to 200 in lightweight partition wall with metal support structure and mineral wool

⁴ 50 only for FKR-EU

⁵ Additional mineral wool

Fire dampers

Basic information and nomenclature

1

Principal dimensions

Rectangular fire dampers

Circular fire dampers

B [mm]
Width of the fire damper

Nominal size [mm]
Diameter of the fire damper

H [mm]
Height of the fire damper

L [mm]
Length of the fire damper

Nomenclature

\dot{V} [m³/h] and [l/s]
Volume flow rate

Δp_{st} [Pa]
Static differential pressure

L_{WA} [dB(A)]
A-weighted sound power level of air-regenerated noise for the fire damper

v [m/s]
Airflow velocity based on the upstream cross section (B × H or diameter)

A [m²]
Free area

K
Correction value

ζ
Resistance coefficient (fully ducted)

Wiring

Colour codes according to IEC 60757

Colour codes according to IEC 60757

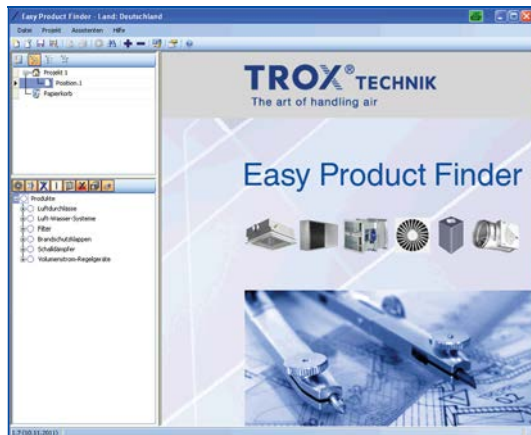
Code	Colour
BK	black
BN	brown
RD	red
OG	orange
YE	yellow
GN	green
BU	blue

Code	Colour
VT	violet
GY	grey
WH	white
PK	pink
TQ	turquoise
GNYE	green-yellow

Sizing with the help of this catalogue

This catalogue provides convenient quick sizing tables for fire dampers. The volume flow rates for all available dimensions and nominal sizes are provided based on a particular differential pressure. Sizing data for other volume flow rates and differential pressures can be determined quickly and precisely using the Easy Product Finder design programme.

Easy Product Finder



The Easy Product Finder allows you to size products using your project-specific data.

You will find the Easy Product Finder on our website.