



TFP



TFP

Easy cleaning and validation



**CONSTRUCTION WITH  
REMOVABLE SPIGOT**

Construction with removable  
spigot



**TESTED TO  
VDI 6022**

Conforms to VDI 6022

## TFP



### **FOR CRITICAL AIR CLEANLINESS AND VERY CRITICAL HYGIENE REQUIREMENTS, SUITABLE FOR CEILING INSTALLATION**

Pharmaceutical clean room terminal filters as a final filter stage with Mini Pleat filter panels for the separation of suspended particles. Used in highly sensitive areas in pharmaceuticals, medicine, and biology

- Mini Pleat filter panels with downstream fluid seals meet the highest hygiene requirements
- Easy, time-saving, and secure filter change
- Air terminal device is held in place by magnets and can be hinged down to facilitate cleaning and validation; filter change with patented turn clip
- Newly designed supports for mounting in false ceilings
- Robust, welded construction
- Compact construction, suitable for low ceilings
- Various diffuser face plates to ideally meet individual requirements
- Horizontal or vertical connection
- Removable spigot for installation into closed ceilings in case of horizontal connection
- For air cleanliness classes 5 to 8 according to ISO 14644-1

- Meets the hygiene requirements of VDI 6022

## Allgemeine Informationen

---



### Application

- Pharmaceutical clean room terminal filter for ceiling installation as final filter stage and for air distribution in sensitive areas of the pharmaceutical industry
- Fitting of filter elements for the separation of suspended particles such as aerosols, toxic dusts, viruses or bacteria from the supply or extract air.

### Variants

- TC-S: Top entry circular spigot, top lateral suspension lugs
- TC-FC: Top entry circular spigot, with supports for mounting in false ceilings
- SC-S: Side entry circular spigot, top lateral suspension lugs
- SC-FC: Side entry circular spigot, with supports for mounting in false ceilings
- SCR-S: Side entry circular spigot, removable, top lateral suspension lug
- SCR-FC: Side entry circular spigot, removable, with supports for mounting in false ceilings

### Construction

- Sheet steel, powder-coated, RAL 9010, pure white

### Nominal sizes

- 400, 500, 600, 625 [mm]

### Attachments

- FD: Ceiling swirl diffuser
- TDF: Ceiling swirl diffuser
- VDWF: Ceiling swirl diffuser

### Useful additions

- Mini Pleat filter panels (MFP)
- Suitable filter elements to be ordered separately

### Special characteristics

- Compact construction
- Flush ceiling installation
- Removable spigot for installation into closed ceilings
- Diffuser face plate can be hinged down
- Filter change with patented turn clip

- Supports for mounting in false ceilings

#### Construction features

- Welded filter casing with sealing frame for fitting filter elements, with a seal on the downstream side
- Mounted pressure measuring points for monitoring the operating differential pressure and internal measuring tube

#### Material and surfaces

- Casing and diffuser face plate made of sheet steel, powder-coated RAL 9010, pure white

#### Commissioning

- Fitting of filter elements with a fluid seal on the downstream side
- Pressing of the filter element is performed using four patented turn clips
- Air diffuser is hinged and held in place by magnets; no additional tools required

#### Standards and guidelines

- Hygiene meets the requirements of VDI 6022, VDI 3803, DIN 1946 Part 4, ÖNORM H 6021 and ÖNORM H 6020, SWKI VA 104-01 and SWKI 99-3, and EN 16798

#### Maintenance

- Diffuser face can be hinged down for easy disassembly and cleaning
- Cleaning is possible with installed particulate filter (seal on downstream side)
- Easy replacement of filter elements thanks to special frame profile, no additional fluid sealing frame

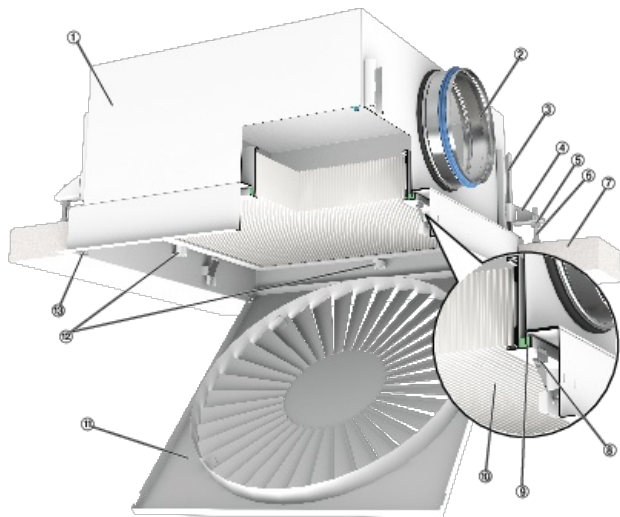
## TECHNICAL INFORMATION

Function, Specification text, Order code

---



Schematic illustration TFP-SCR-FC



- ① Casing
- ② Removable spigot with lip seal
- ③ C rail for adjustable supports
- ④ Supports for suspended ceiling
- ⑤ Locknut
- ⑥ Adjusting screw
- ⑦ Suspended ceiling
- ⑧ Holding spring
- ⑨ Fluid seal
- ⑩ Filter pack
- Air terminal device (can be hinged down)
- Turn clip (patented)
- Holding magnets

#### Specification text

Pharmaceutical clean room terminal filter type TFP for ceiling installation as final filter stage and for air distribution in sensitive areas of the pharmaceutical industry.

Fitting of filter elements for the separation of suspended particles such as aerosols, toxic dusts, viruses and bacteria from the supply or extract air.

Welded filter casing with sealing frame for fixing the Mini Pleat filter panels, with a fluid seal on the downstream side.

With side entry or top entry spigot. Side entry spigot can be removed if desired.

Pressing the Mini Pleat filter panels is performed by four patented turn clips.

Casing with mounted pressure measurement points to monitor the operating differential pressure and with internal measuring tube.

Diffuser face plate made of sheet steel, powder-coated (RAL 9010), types FD and TDF; can be hinged down to facilitate disassembly and cleaning.

Leakage test for each casing.

#### Special features

- Compact construction
- Flush ceiling installation
- Removable side spigot, for installation in closed ceilings
- Diffuser face can be hinged down
- Filter change with patented turn clip
- Supports for mounting in suspended ceilings

#### Materials and surfaces

- Casing and air terminal device made of sheet steel, powder-coated, RAL 9010, pure white

#### Constructions

- Sheet steel, powder-coated, RAL 9010, pure white

TFP - SC-S - FD / 600 x 198 x 330 / CC  
 1 | 2 | 3 | 4 | 5 | 6 | 7

1 Type

TFP Pharmaceutical clean room terminal filters

2 Variant

- TC-S Top entry circular spigot, top lateral suspension lugs
- TC-FC Top entry circular spigot, with supports for mounting in suspended ceilings
- SC-S Side entry circular spigot, top lateral suspension lugs
- SC-FC Side entry circular spigot, with supports for mounting in suspended ceilings
- SCR-S Side entry circular spigot, removable, top lateral suspension lugs
- SCR-FC Side entry circular spigot, removable, with supports for mounting in suspended ceilings

3 Air diffuser

FD, TDF, VDWF

4 Nominal size [mm]

400, 500, 600, 625

5 Spigot diameter ØD [mm]

Specify diameter

6 Casing height [mm]

Specify casing height

7 Type of ceiling

No entry: Standard

CC Clip-in tile ceiling Order example: TFP-SC-S-FD/600x198x330/CC

Type	TFP Pharmaceutical clean room terminal filter
Variant	Side entry circular spigot, top lateral suspension lugs
Air diffuser	FD
Nominal size [mm]	600
Spigot diameter ØD [mm]	198
Casing height [mm]	330
Type of ceiling	Clip-in tile ceiling

Variants, Dimensions



Product examples

Application

- Pharmaceutical clean room terminal filter for ceiling installation as final filter stage and for air distribution in sensitive areas of the pharmaceutical industry
- Fitting of filter elements for the separation of suspended particles such as aerosols, toxic dusts, viruses, bacteria from the supply or extract air.

Application

- Pharmazie-Reinraumdurchlass für Deckeneinbau als endständige Filterstufe und zur Luftführung in sensitiven Bereichen der pharmazeutischen Industrie
- Aufnahme von Filterelementen zur Abscheidung von Schwebstoffen wie z. B. Aerosolen, toxischen Stäuben, Viren, Bakterien aus der Zu- und Abluft

Application

- Pharmazie-Reinraumdurchlass für Deckeneinbau als endständige Filterstufe und zur Luftführung in sensitiven Bereichen der pharmazeutischen Industrie
- Aufnahme von Filterelementen zur Abscheidung von Schwebstoffen wie z. B. Aerosolen, toxischen Stäuben, Viren, Bakterien aus der Zu- und Abluft

Application

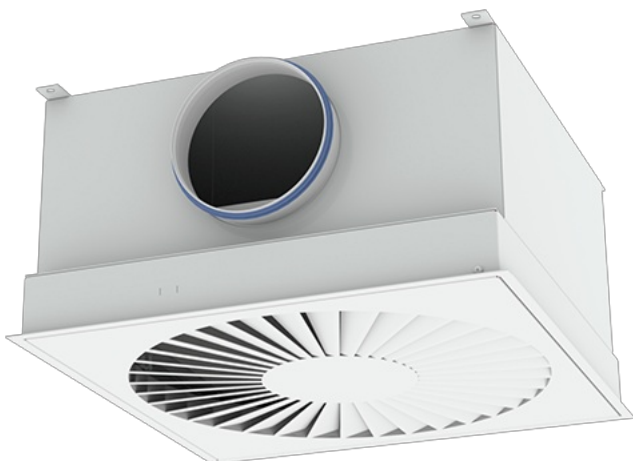
- Pharmazie-Reinraumdurchlass für Deckeneinbau als endständige Filterstufe und zur Luftführung in sensitiven Bereichen der pharmazeutischen Industrie
- Aufnahme von Filterelementen zur Abscheidung von Schwebstoffen wie z. B. Aerosolen, toxischen Stäuben, Viren, Bakterien aus der Zu- und Abluft

**Pharmaceutical clean room terminal filter, variant TFP-TC-S**



- Top entry circular spigot

**Pharmaceutical clean room terminal filter, variant TFP-SC-S**



- Side entry circular spigot

**Pharmaceutical clean room terminal filter, variant TFP-SCR-S**



- Side entry circular spigot, removable

**Pharmaceutical clean room terminal filter, variant TFP-SCR-FC**



- Side entry circular spigot, removable, with supports for mounting in false ceilings



TFP-TC-S, front view

