



Top entry circular spigot



Aerosol feed



Low-leakage shut-off damper, manually adjustable



Damper blade for volume flow rate balancing



Tested to VDI 6022

Particulate filter air terminal devices

TFC



For critical air cleanliness and critical hygiene requirements, suitable for ceiling installation

Ceiling mounted particulate filters as a final filter stage with Mini Pleat filter panels for the separation of suspended particles. Used in medicine, biology, the pharmaceuticals industry, and sensitive technical areas.

- Easy, time-saving and secure filter change, can be completed by one person due to special press-in frame
- Quick and easy diffuser fixing with central screw and spring
- Robust, welded construction
- With or without optional sealing integrity test facility
- Compact construction, suitable for low ceilings, integration with all clean room ceiling systems from various manufacturers
- Various diffusers to ideally meet individual requirements
- Horizontal (circular, rectangular) or vertical (circular) connection
- Choice of low-leakage shut-off damper or volume flow limiter for horizontal connection
- Equipment for differential pressure measurement and particle sampling for measurements
- Filter element can be easily accessed from the clean air side even after installation thanks to a removable cross bar
- For air cleanliness classes 5 to 8 according to ISO 14644-1
- Meets the hygiene requirements of VDI 6022
- Leakage class: EN 1886 L1, EN 15727 class D

General information	2	With side entry rectangular spigot	12
Function	4	Constructions	13
Specification text	5	Type of ceiling	15
Order code	6	Air terminal devices	17
Variants	8	Suspension/measurement points	20
With side entry circular spigot	9	Dimensions	23
With top entry circular spigot	11		

General information

Application

- Particulate filter air terminal device for ceiling installation as a final filter stage and for air distribution
- Fitting of filter elements for the separation of suspended particles such as aerosols, toxic dusts, viruses or bacteria from the supply or extract air.

Special features

- Compact construction
- Easy to use
- High operational reliability

Classification

- Hygiene tested to VDI 6022
- SC, SCH, SCV, SCM, SCD, SCA, TC, TCM, TCA, SR

Nominal sizes

- 400, 500, 600, 625, 680, 825 mm

Variants

- SC: Side entry circular spigot
- SCH: Side entry circular spigot, manually adjustable shut-off damper
- SCE: Side entry circular spigot, shut-off damper with electric actuator 24 – 240 V AC
- SCV: Side entry circular spigot, volume flow limiter
- SCM: Side entry circular spigot, damper blade for volume flow rate balancing
- SCD: Side entry circular spigot, recessed
- SCA: Side entry circular spigot, aerosol feed
- TC: Top entry circular spigot
- TCM: Top entry circular spigot, damper blade for volume flow rate balancing
- TCA: Top entry circular spigot, aerosol feed
- SR: Side entry rectangular spigot

Constructions

- G: Gel seal (frame depths 91 – 105 mm)
- CF: Continuous seal or flat seal (frame depths 78 – 90 mm)
- CFL: Continuous seal or flat seal (frame depth 150 mm)
- FT: Flat seal (frame depth 78 mm)
- FTL: Flat seal (frame depth 150 mm)

Material Gehäuse

- SPC: Steel, powder-coated RAL 9010, pure white
- STA: Stainless steel (only for SC, TC, SR)

Parts and characteristics

- Electric actuator: mains connection 24 – 240 V, 50 Hz
- Volume flow limiter: factory set to a reference flow rate, can be adjusted within a volume flow rate range of > 5 : 1

Air terminal devices

- ADLQ: Ceiling diffuser
- DLQ: Ceiling diffuser
- DLQL: Ceiling swirl diffuser with baffle element made of acoustic fleece
- LF: Ceiling diffuser
- FD: Ceiling swirl diffuser
- TDF: Ceiling swirl diffuser
- VDWF: Ceiling swirl diffuser
- PCD: PROCONDIF® diffuser
- AIRNAMIC: Ceiling swirl diffuser

Options

- ED: External diffuser
- ID: Internal diffuser
- CC: Clip-in tile ceiling
- D: Spigot diameter
- T: Top suspension and measurement points
- S: Side suspension and measurement points
- FC: With supports to carry a false ceiling, measurement points at the top

Useful additions

- Mini Pleat filter panels (MFP) or Mini Pleat filter panels for clean rooms (MFPCR)
- Suitable filter elements to be ordered separately

Construction features

- Clamping mechanism with 4 fixing points for filter elements
- Sealing integrity test facility as an option
- Removable cross bar
- Measurement points for monitoring the differential operating pressure

Materials and surfaces

- Casing made of either sheet steel, powder-coated RAL 9010, pure white, or of stainless steel for variants SC, TC and SR
- Diffuser face made of sheet steel, powder-coated RAL 9010, pure white: DLQ, FD, TDF, VDWF, LF, DLQL; diffuser face made of anodised aluminium: ADLQ; diffuser face made of stainless steel: VDWF and LF.
- Diffuser made of sheet steel, powder-coated RAL 9010 (pure white, matt); type PCD with internal part made of PP plastic, RAL 9010 (pure white)
- Diffuser made of high-quality ABS plastic, RAL 9010 (pure white), type AIRNAMIC

Standards and guidelines

- Hygiene meets the requirements of VDI 6022, VDI 3803, DIN 1946 Part 4, ÖNORM H 6021 and ÖNORM H 6020, SWKI VA 104-01 and SWKI 99-3, and EN 16798
- Leakage class: EN 1886 L1, EN 15727 class D

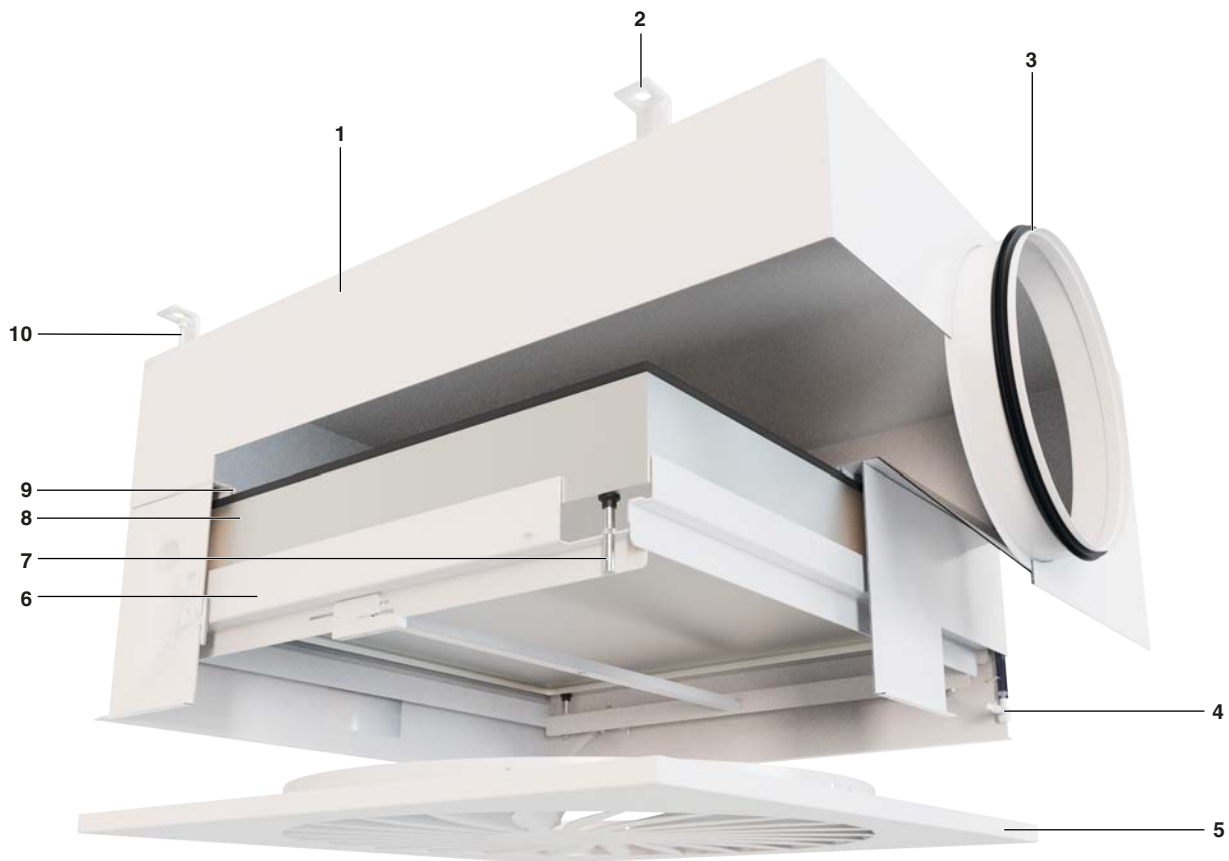
Maintenance

- Filter changes and maintenance on constructions with shut-off damper can be carried out without interruption to the system operation.
- Diffusers with central fixing can be easily removed for filter changes and cleaning.

Installation and commissioning

- Fitting of filter elements with a flat seal, continuous foam seal or gel seal
- The filter element is pressed into place with four easy-to-handle clamping screws
- Diffuser fixing with central screw and spring (fixing by others)

Function



- 1 Casing
- 2 Fixing bracket
- 3 Spigot with lip seal
- 4 Internal measuring tube
- 5 Air terminal device
- 6 Clamping mechanism for the filter element
- 7 Clamping screws
- 8 Filter element
- 9 Filter fitting
- 10 Pressure measurement point

Specification text

This specification text describes the general properties of the product. Texts for variants can be generated with our Easy Product Finder design programme.

Specification text

Particulate filter air terminal device type TFC for ceiling installation as final filter stage and for air distribution. Fitting of filter elements for the separation of suspended particles such as aerosols, toxic dusts, viruses and bacteria from the supply or extract air. Casing with side entry or top entry circular spigot or with side entry rectangular spigot. As standard, ceiling mounted particulate filters with circular spigots are fitted with a lip seal. Choice of different constructions: low-leakage ('air-tight') shut-off damper, either manually adjustable or with electric actuator; volume flow limiter; damper blade for volume flow rate balancing; recessed side entry spigot; or aerosol feed. Casing without test groove for filters with flat seal, continuous foam seal or gel seal; casing with test groove as an option for filters with flat seal. Filter depths from 78 to 150 mm. Sheet steel casing with RAL 9010 powder coating; stainless steel as an option. Casing and diffuser are suitable for installation into commercially available plasterboard and mineral fibre ceilings as well as in walk-on ceiling systems. Installation into clip-in tile ceilings is also possible (optional). External diffuser as standard, internal diffuser as an option for flush installation. Fixing on the cross bar with central screw and spring; can be removed so that the filter (downstream side) can be checked. The filter elements are pressed into place by an installation subframe with four clamping screws. As standard, the casings are fitted with an internal measuring tube and pressure measurement points for monitoring the differential operating pressure. As standard, the pressure measurement points are at the top, optionally at the side; in case of false ceiling installation the measurement points are at the

top. For the fitting of Mini Pleat filter panels with flat seal, continuous foam seal or gel seal. Leakage test for each casing. Leakage class L1 to EN 1886; leakage class D to EN 15727.

Special features

- Compact construction
- Easy to use
- High operational reliability
- Suitable for filter elements with various seals and of various heights
- Easy diffuser fixing with screw and spring
- Fits various ceiling systems

Materials and surfaces

- Casing made of either sheet steel, powder-coated RAL 9010, pure white, or of stainless steel for variants SC, TC and SR
- Diffusers made of sheet steel, powder-coated RAL 9010 (pure white): DLQ, FD, TDF, VDWF, LF, DLQL. Diffusers made of anodised aluminium: ADLQ. Diffusers made of stainless steel: VDWF and LF
- Diffuser made of sheet steel, powder-coated RAL 9010 (pure white, matt): PCD with internal part made of PP plastic, RAL 9010 (pure white)
- Diffuser made of high-quality ABS plastic, RAL 9010 (pure white): AIRNAMIC

Constructions

- SPC: Steel, powder-coated RAL 9010, pure white
- STA: Stainless steel (only for SC, TC, SR)

Order code

TFC – SC – CF – SPC – CC – ID – VDWF / 600 × 24 – 248 – 20 / T
 1 | 2 | 3 | 4 | 5 | 6 | 7 | 8 | 9 | 10 | 11

1 Type

TFC Ceiling mounted particulate filter

2 Variant

- SC** Side entry circular spigot
- SCH** SC with manually adjustable shut-off damper
- SCE** SC with electrical shut-off damper (24 – 240 V AC)
- SCM** SC with damper blade for volume flow rate balancing
- SCV** SC with volume flow limiter
- SCD** SC with recessed spigot
- SCA** SC with aerosol feed
- TC** Top entry circular spigot
- TCM** TC with damper blade for volume flow rate balancing
- TCA** TC with aerosol feed
- SR** Side entry rectangular spigot

3 Filter fitting and construction

Without test groove

- G** Filter with gel seal (frame depths 91 – 105 mm)
- CF** Filter with continuous seal and flat seal (frame depths 78 – 90 mm)
- CFL** Filter with continuous seal and flat seal (frame depth 150 mm) (only for SC, SCM, SCA, TC, TCM, TCA, SR)

With test groove

- FT** Filter with flat seal (frame depth 78 mm)
- FTL** Filter with flat seal (frame depth 150 mm) (only for SC, SCM, SCA, TC, TCM, TCA, SR)

4 Casing material

- SPC** Steel, powder-coated, RAL 9010 (pure white)
- STA** Stainless steel (only for SC, TC, SR)

5 Type of ceiling

- No entry: standard
- CC** Clip-in tile ceiling

6 Position of air terminal device

- ED** External
- ID** Internal (not for nominal size 250)

7 Air terminal device

No entry: none

Steel, powder-coated (SPC)

External diffuser (ED)

ADLQ, DLQ, DLQL, LF, FD, TDF, VDWF, PCD, AIRNAMIC

Internal diffuser (ID)

LF, FD, TDF, VDWF

Stainless steel (STA)

Internal or external diffuser (ID, ED)

LF, VDWF

8 Nominal size [mm]

Without diffuser

400, 500, 600, 625, 680, 825

External diffuser (ED)

ADLQ, DLQ, DLQL, FD, TDF

400, 500, 600, 625, 680

AIRNAMIC, PCD

600, 625

LF

400, 500, 600, 625, 680, 825

VDWF × 16

400 × 16

VDWF × 24

500 × 24, 600 × 24, 625 × 24, 680 × 24

VDWF × 48

625 × 48

VDWF × 54

680 × 54

VDWF × 72

825 × 72

Internal diffuser (ID)

LF, FD, TDF

400, 500, 600, 625, 680

VDWF × 16

400 × 16

VDWF × 24

500 × 24, 600 × 24, 625 × 24, 680 × 24

VDWF × 48

625 × 48

VDWF × 54

680 × 54

9 Spigot size [mm]

Specify diameter

For variant SR

Specify size (width × height)

10 Flange width [mm]

0 (AIRNAMIC only)

10 – 55

11 Suspension/measurement points

T Suspension and measurement points at the top

S Side suspension and measurement points**FC** False ceiling installation, measurement points at the top**Order example: TFC-SC-CF-SPC-CC-ID-VDWF/600×24-248-20/T**

Type	TFC
Variant	Side entry circular spigot
Filter fitting and construction	Filter with continuous seal and flat seal (frame depths 78 – 90 mm)
Casing material	Steel, powder-coated, RAL 9010 (pure white)
Type of ceiling	Clip-in tile ceiling
Position of air terminal device	Internal diffuser
Air terminal device	VDWF
Nominal size [mm]	600 × 24 blades
Spigot size [mm]	Ø 248
Flange width [mm]	20
Suspension/measurement points	Suspension and measurement points at the top

Order example: TFC-SR-G-STA-ED-VDWF/400×16-360×100-10/FC

Type	TFC
Variant	Side entry rectangular spigot
Filter fitting and construction	Filter with gel seal (frame depths 91 – 105 mm)
Casing material	Stainless steel
Type of ceiling	Standard
Position of air terminal device	External diffuser
Air terminal device	VDWF
Nominal size [mm]	400 × 16 blades
Spigot size [mm]	Width 360, height 100
Flange width [mm]	10
Suspension/measurement points	False ceiling installation, measurement points at the top

Variants

Variants, overview

- SC: Side entry circular spigot
- SCH: Side entry circular spigot, manually adjustable shut-off damper
- SCE: Side entry circular spigot, shut-off damper with electric actuator 24 – 240 V AC
- SCV: Side entry circular spigot, volume flow limiter
- SCM: Side entry circular spigot, damper blade for volume flow rate balancing
- SCD: Side entry circular spigot, recessed
- SCA: Side entry circular spigot, aerosol feed
- TC: Top entry circular spigot
- TCM: Top entry circular spigot, damper blade for volume flow rate balancing
- TCA: Top entry circular spigot, aerosol feed
- SR: Side entry rectangular spigot

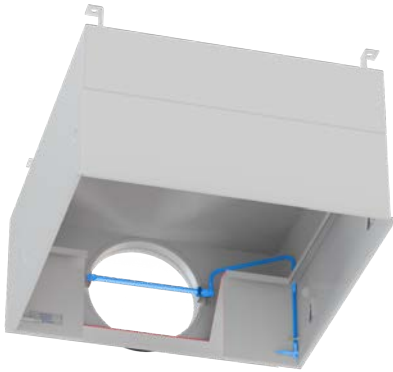
With side entry circular spigot

Variant TFC-SC**Variant TFC-SCH**

- Shut-off damper, manually adjustable

**Variant TFC-SCA**

- With aerosol feed

**Variant TFC-SCM**

- Damper blade for volume flow rate balancing



Variant TFC-SCD

- With recessed spigot

**Variant TFC-SCE**

- Shut-off damper with electric actuator
- Supply voltage 24 to 240 V AC

**Variant TFC-SCV**

- Volume flow limiter, Type VFL
- Factory set to a reference volume flow rate
- Can be adjusted within a volume flow rate range of >5 : 1



With top entry circular spigot

Variant TFC-TC



Variant TFC-TCA

- With aerosol feed



Variant TFC-TCM

- Damper blade for volume flow rate balancing



With side entry rectangular spigot

Variant TFC-SR



Constructions

Ceiling mounted particulate filter, without sealing integrity test groove

- For filters with continuous seal or flat seal CSU/FNU

Construction TFC-CF

Frame depths 78 – 90 mm

- MFP-MDF (78 – 90 mm)
- MFP-ALZ (78 mm)

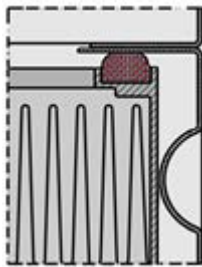
- MFPCR-ALC (78 mm)
- MFPCR-ALG (90 mm)

Construction TFC-CFL (only for SC, SCM, SCA, TC, TCM, TCA, SR)

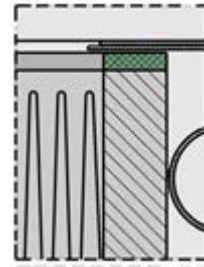
Frame depth: 150 mm

- MFP-MDF (150 mm)
- MFP-ALY (150 mm)

Continuous seal CSU



Flat seal FNU



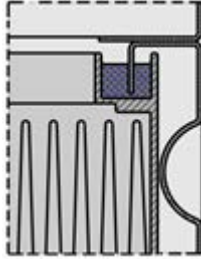
Ceiling mounted particulate filter, without sealing integrity test groove

- For filter with gel seal PU

Construction TFC-G

Frame depths 91 – 105 mm

- MFP-ALU (91 mm)
- MFPCR-ALQ (105 mm)

Gel seal PU**Ceiling mounted particulate filter, with sealing integrity test groove**

- For filters with flat seal FNU

Construction TFC-FT

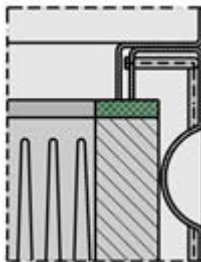
Frame depth: 78 mm

- MFP-MDF (78 mm)
- MFP-ALZ (78 mm)

Construction TFC-FTL (only for SC, SCM, SCA, TC, TCM, TCA, SR)

Frame depth: 150 mm

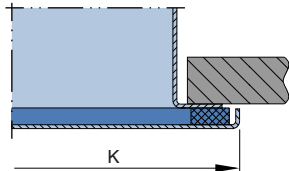
- MFP-MDF (150 mm)
- MFP-ALY (150 mm)

Flat seal FNU

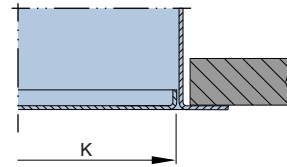
Type of ceiling

Plasterboard ceiling or MDF ceiling

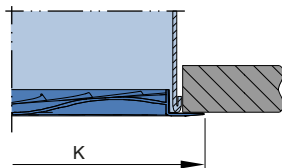
ED, external diffuser



ID, internal diffuser

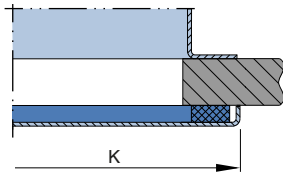


Air terminal device AIRNAMIC

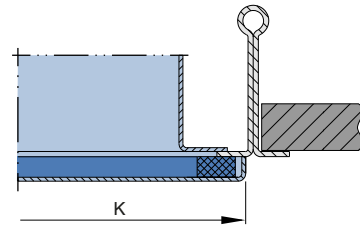


Walk-on ceiling

Walk-on ceiling

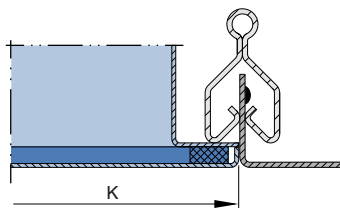


T-bar ceiling

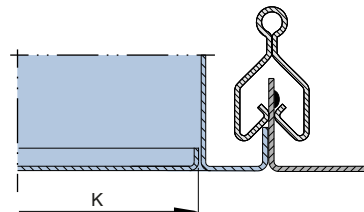


Construction CC
Clip-in tile ceiling

ED, external diffuser



ID, internal diffuser



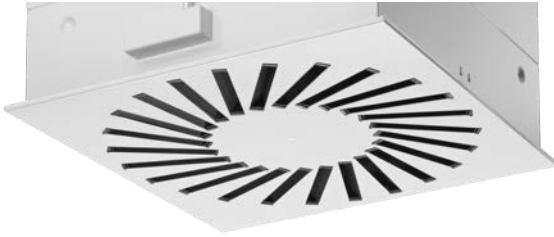
Air terminal devices

Casing material	ED external diffuser, nominal sizes							ID internal diffuser, nominal sizes						
	Construction	400	500	600	625	680	825	Construction	400	500	600	625	680	825
	Flange width [mm]	10	15	10	15	15	15	Flange width [mm]	15	20	12	21	-	-
SPC	VDWF*** (no. of blades)	16	24	24	24	24	-	VDWF*** (no. of blades) * Diffuser face style 500 × 24	16	24	24*	24	24	-
SPC	LF	•	•	•	•	•	•	LF	•	•	•	•	•	-
SPC	FD	•	•	•	•	•	-	FD	•	•	•	•	•	-
SPC	TDF	•	•	•	•	•	-	TDF	•	•	•	•	•	-
SPC	DLQ	•	•	•	•	•	-							
SPC	DLQL	•	•	•	•	•	-							
SPC	ADLQ	•	•	•	•	•	-							
SPC	PCD	-	-	•	•	-	-							
SPC	AIRNAMIC**	-	-	•	•	-	-							
STA	VDWF (no. of blades)	16	24	24	24	24	-	VDWF (no. of blades) * Diffuser face style 500 × 24	16	24	24*	24	24	-
STA	LF	•	•	•	•	•	•	LF	•	•	•	•	•	-

** AIRNAMIC flange width = 0

*** Option Q21 = VDWF with white blades (extra order item)

Air terminal device VDWF



Air terminal device FD



Air terminal device TDF



Air terminal device ADLQ



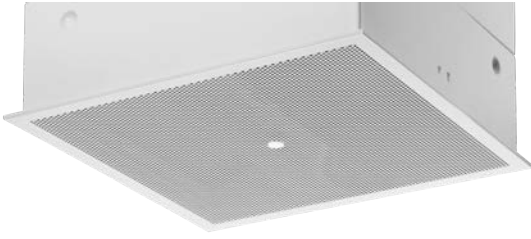
Air terminal device DLQ



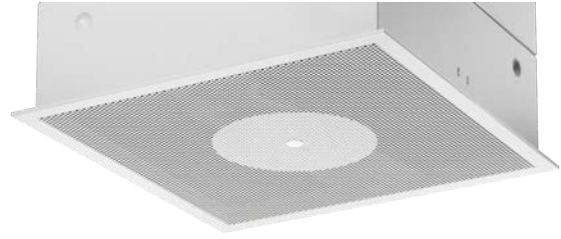
Air terminal device AIRNAMIC



Air terminal device LF



Air terminal device DLQL

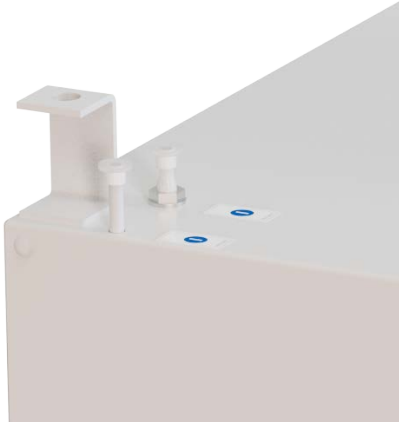


Air terminal device PCD



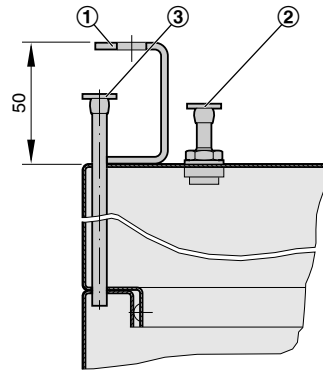
Suspension/measurement points

At the top



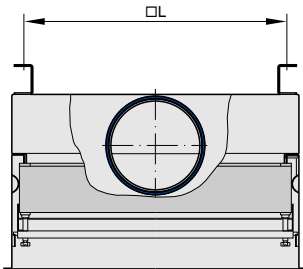
Option T

- **Suspension lugs at the top**
- **Pressure measurement points at the top**

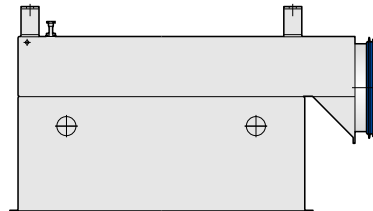


1. Suspension lugs
2. Measurement point (Ø 6) on upstream side (plus)
3. Measurement point (Ø 6) on downstream side (minus)

Distance between screw holes



Distance between screw holes



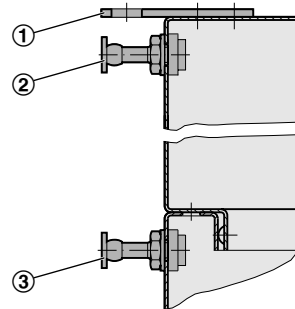
Nominal width	Distance between screw holes
NW	L
400	330
500	420
600	520
625	560
680	595
825	748

At the side



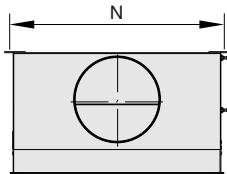
Option S

- Suspension lugs at the side
- Pressure measurement points at the side

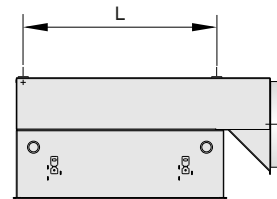


1. Suspension lugs
2. Measurement point (Ø 6) on upstream side (plus)
3. Measurement point (Ø 6) on downstream side (minus)

Distance between screw holes



Distance between screw holes



Nominal width NW	Distance between screw holes	
	L	N
400	330	400.5
500	420	490.5
600	520	590.5
625	560	630.5
680	595	666
825	748	818

Option FC

Supports for false ceiling installation,
Pressure measurement points, **at the top**

NW	A	B
400	270	465
500	360	555
600	460	655
625	500	695
680	536	730
825	688	882

Tolerances

Type of seal	C_{max}	C_{min}
G	136	51
FT	118	33
CF	118	33
CFL	190	105
FTL	190	105

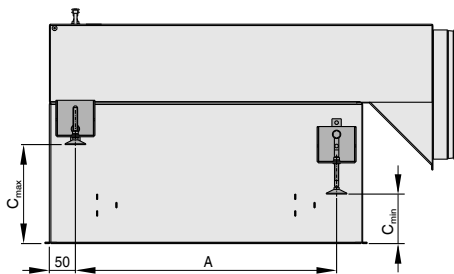
DLQL, PCD: B + 40 mm



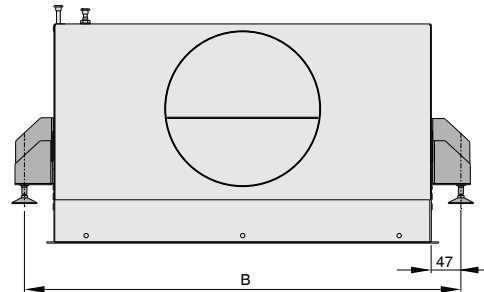
Supports for false ceiling installation



Supports for false ceiling installation, dimensions

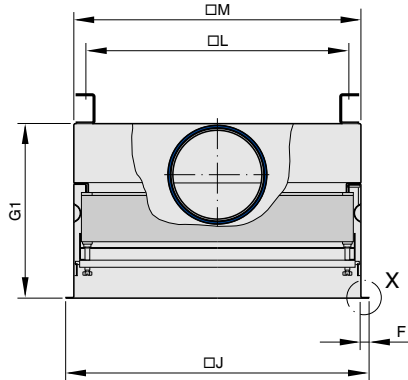


Supports for false ceiling installation, dimensions

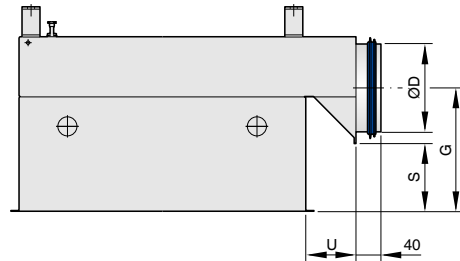


Dimensions

TFC-SC, -SCA, -SCM



TFC-SC, -SCA, -SCM, side view



Product-specific data for TFC-SC, -SCA, -SCM

All weights are net, without packaging

								Ceiling type 0 with ED			Other options					
1	2	3	4	5	6	7	8	9	10	11	9	10	11	12	13	17
NW	ØD	FA	B × H × T	G1*	S*	G*	M	F**	J**	K	F	J	K	L	U	kg
400	158/198	G	345 × 345 × 105	317	87	207	371	10	388	398	15	398	365	330	135	11
400	158/198	G	345 × 345 × 91	317	87	207	371	10	388	398	15	398	365	330	135	11
400	158/198	CF	345 × 345 × 90	299	69	189	371	10	388	398	15	398	365	330	135	11
400	158/198	CF/FT	345 × 345 × 78	299	69	189	371	10	388	398	15	398	365	330	135	11
400	158/198	CFL/FTL	345 × 345 × 150	371	141	261	371	10	388	398	15	398	365	330	135	12.5
500	158/198	G	435 × 435 × 105	312	82	202	461	15	488	498	20	498	455	420	135	14
500	158/198	G	435 × 435 × 91	312	82	202	461	15	488	498	20	498	455	420	135	14
500	158/198	CF	435 × 435 × 90	294	64	184	461	15	488	498	20	498	455	420	135	14
500	158/198	CF/FT	435 × 435 × 78	294	64	184	461	15	488	498	20	498	455	420	135	14
500	158/198	CFL/FTL	435 × 435 × 150	366	136	256	461	15	488	498	20	498	455	420	135	16
600	198	G	535 × 535 × 105	312	82	202	561	15	588	598	20	598	555	520	135	17
600	198	G	535 × 535 × 91	312	82	202	561	15	588	598	20	598	555	520	135	17
600	198	CF	535 × 535 × 90	294	64	184	561	15	588	598	20	598	555	520	135	17
600	198	CF/FT	535 × 535 × 78	294	64	184	561	15	588	598	20	598	555	520	135	17
600	198	CFL/FTL	535 × 535 × 150	366	136	256	561	15	588	598	20	598	555	520	135	19.5
600	248	G***	535 × 535 × 105	362	82	227	561	15	588	598	20	598	555	520	135	18
600	248	G***	535 × 535 × 91	362	82	227	561	15	588	598	20	598	555	520	135	18
600	248	CF	535 × 535 × 90	344	64	209	561	15	588	598	20	598	555	520	135	18
600	248	CF/FT	535 × 535 × 78	344	64	209	561	15	588	598	20	598	555	520	135	18
600	248	CFL/FTL	535 × 535 × 150	416	136	281	561	15	588	598	20	598	555	520	135	21
600	313	G	535 × 535 × 105	427	82	260	561	15	588	598	20	598	555	520	135	19
600	313	G	535 × 535 × 91	427	82	260	561	15	588	598	20	598	555	520	135	19
600	313	CF	535 × 535 × 90	409	64	242	561	15	588	598	20	598	555	520	135	19
600	313	CF/FT	535 × 535 × 78	409	64	242	561	15	588	598	20	598	555	520	135	19
600	313	CFL/FTL	535 × 535 × 150	481	136	314	561	15	588	598	20	598	555	520	135	22
625	198	G	575 × 575 × 105	317	87	207	601	10	618	623	12	623	595	560	135	18
625	198	G	575 × 575 × 91	317	87	207	601	10	618	623	12	623	595	560	135	18
625	198	CF	575 × 575 × 90	299	69	189	601	10	618	623	12	623	595	560	135	18
625	198	CF/FT	575 × 575 × 78	299	69	189	601	10	618	623	12	623	595	560	135	18
625	198	CFL/FTL	575 × 575 × 150	371	141	261	601	10	618	623	12	623	595	560	135	21
625	248	G	575 × 575 × 105	367	87	232	601	10	618	623	12	623	595	560	135	19
625	248	G	575 × 575 × 91	367	87	232	601	10	618	623	12	623	595	560	135	19
625	248	CF	575 × 575 × 90	349	69	214	601	10	618	623	12	623	595	560	135	19
625	248	CF/FT	575 × 575 × 78	349	69	214	601	10	618	623	12	623	595	560	135	19

								Ceiling type 0 with ED			Other options					
1	2	3	4	5	6	7	8	9	10	11	9	10	11	12	13	17
NW	ØD	FA	B × H × T	G1*	S*	G*	M	F**	J**	K	F	J	K	L	U	kg
625	248	CFL/FTL	575 × 575 × 150	421	141	286	601	10	618	623	12	623	595	560	135	22
625	313	G	575 × 575 × 105	432	87	265	601	10	618	623	12	623	595	560	135	21
625	313	G	575 × 575 × 91	432	87	265	601	10	618	623	12	623	595	560	135	21
625	313	CF	575 × 575 × 90	414	69	247	601	10	618	623	12	623	595	560	135	21
625	313	CF/FT	575 × 575 × 78	414	69	247	601	10	618	623	12	623	595	560	135	21
625	313	CFL/FTL	575 × 575 × 150	486	141	314	601	10	618	623	12	623	595	560	135	24
680	248	G	610 × 610 × 105	362	82	227	636	15	663	676	21	676	630	595	135	22
680	248	G	610 × 610 × 91	362	82	227	636	15	663	676	21	676	630	595	135	22
680	248	CF	610 × 610 × 90	344	64	209	636	15	663	676	21	676	630	595	135	22
680	248	CF/FT	610 × 610 × 78	344	64	209	636	15	663	676	21	676	630	595	135	22
680	248	CFL/FTL	610 × 610 × 150	416	136	281	636	15	663	676	21	676	630	595	135	24
680	313	G	610 × 610 × 105	427	82	260	636	15	663	676	21	676	630	595	135	23
680	313	G	610 × 610 × 91	427	82	260	636	15	663	676	21	676	630	595	135	23
680	313	CF	610 × 610 × 90	409	64	242	636	15	663	676	21	676	630	595	135	23
680	313	CF/FT	610 × 610 × 78	409	64	242	636	15	663	676	21	676	630	595	135	23
680	313	CFL/FTL	610 × 610 × 150	481	136	314	636	15	663	676	21	676	630	595	135	26
825	248	G	762 × 762 × 105	362	82	227	788	15	815	825	-	-	-	748	135	31
825	248	G	762 × 762 × 91	362	82	227	788	15	815	825	-	-	-	748	135	31
825	248	CF	762 × 762 × 90	355	64	209	788	15	815	825	-	-	-	748	135	31
825	248	CF/FT	762 × 762 × 78	355	64	209	788	15	815	825	-	-	-	748	135	31
825	248	CFL/FTL	762 × 762 × 150	416	136	281	788	15	815	825	-	-	-	748	135	33
825	313	G	762 × 762 × 105	427	82	260	788	15	815	825	-	-	-	748	135	33
825	313	G	762 × 762 × 91	427	82	260	788	15	815	825	-	-	-	748	135	33
825	313	CF	762 × 762 × 90	409	64	242	788	15	815	825	-	-	-	748	135	33
825	313	CF/FT	762 × 762 × 78	409	64	242	788	15	815	825	-	-	-	748	135	33
825	313	CFL/FTL	762 × 762 × 150	481	136	314	788	15	815	825	-	-	-	748	135	36

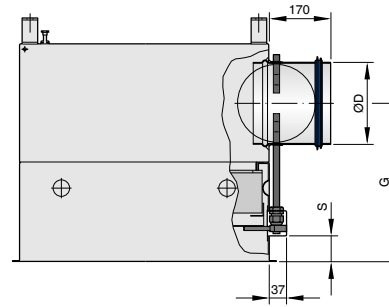
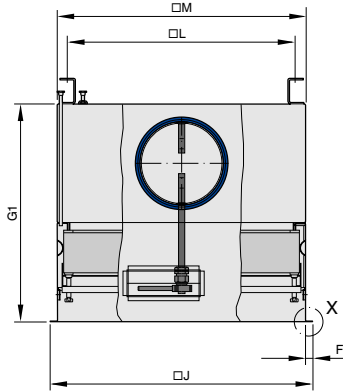
* Air terminal devices DLQL and PCD: G1, S, G + 40 mm

** Air terminal device Airnamic J: M + 3 mm; F = 0 mm (NW 600 and 625 only)

① Nominal size ② Spigot diameter ③ Filter mount ④ Filter size ⑤ Casing height ⑥ Distance to the casing flange ⑦ Connection length to spigot centre line ⑧ Overall dimensions of the casing ⑨ Flange width ⑩ Overall dimensions of the casing flange ⑪ Overall dimensions of the diffuser ⑫ Distance between screw holes, top suspension points ⑬ Casing overhang ⑭ ~ Weight

TFC-SCH

TFC-SCH, side view



Product-specific data for TFC-SCH

All weights are net, without packaging

								Ceiling type 0 with ED			Other options				
1	2	3	4	5	6	7	8	9	10	11	9	10	11	12	17
NW	ØD	FA	B × H × T	G1*	S*	G*	M	F**	J**	K	F	J	K	L	kg
400	125	G	345 × 345 × 105	446	42	331	371	10	388	398	15	398	365	330	12
400	125	G	345 × 345 × 91	446	42	331	371	10	388	398	15	398	365	330	12
400	125	CF	345 × 345 × 90	428	42	313	371	10	388	398	15	398	365	330	12
400	125	CF/FT	345 × 345 × 78	428	42	313	371	10	388	398	15	398	365	330	12
500	160	G	435 × 435 × 105	441	37	326	461	15	488	498	20	498	455	420	15
500	160	G	435 × 435 × 91	441	37	326	461	15	488	498	20	498	455	420	15
500	160	CF	435 × 435 × 90	423	37	308	461	15	488	498	20	498	455	420	15
500	160	CF/FT	435 × 435 × 78	423	37	308	461	15	488	498	20	498	455	420	15
600	200	G	535 × 535 × 105	441	37	326	561	15	588	598	20	598	555	520	18.5
600	200	G	535 × 535 × 91	441	37	326	561	15	588	598	20	598	555	520	18.5
600	200	CF	535 × 535 × 90	423	37	308	561	15	588	598	20	598	555	520	18.5
600	200	CF/FT	535 × 535 × 78	423	37	308	561	15	588	598	20	598	555	520	18.5
625	200	G	575 × 575 × 105	446	42	331	601	10	618	623	12	623	595	560	20
625	200	G	575 × 575 × 91	446	42	331	601	10	618	623	12	623	595	560	20
625	200	CF	575 × 575 × 90	428	42	313	601	10	618	623	12	623	595	560	20
625	200	CF/FT	575 × 575 × 78	428	42	313	601	10	618	623	12	623	595	560	20
680	200	G	610 × 610 × 105	441	37	326	636	15	663	676	21	676	630	595	22.5
680	200	G	610 × 610 × 91	441	37	326	636	15	663	676	21	676	630	595	22.5
680	200	CF	610 × 610 × 90	423	37	608	636	15	663	676	21	676	630	595	22.5
680	200	CF/FT	610 × 610 × 78	423	37	608	636	15	663	676	21	676	630	595	22.5
825	200	G	762 × 762 × 105	441	37	326	788	15	815	825	-	-	-	748	31
825	200	G	762 × 762 × 91	441	37	326	788	15	815	825	-	-	-	748	31
825	200	CF	762 × 762 × 90	423	37	308	788	15	815	825	-	-	-	748	31
825	200	CF/FT	762 × 762 × 78	423	37	308	788	15	815	825	-	-	-	748	31

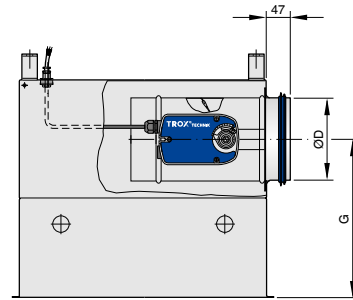
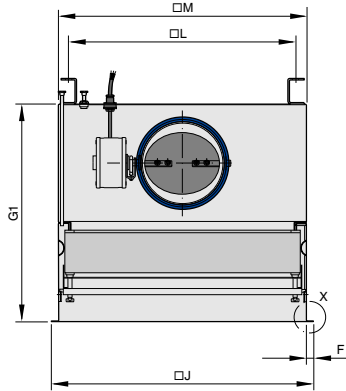
* Air terminal devices DLQL and PCD: G1, S, G + 40 mm

** Air terminal device Airnamic J: M + 3 mm; F = 0 mm (NW 600 and 625 only)

① Nominal size ② Spigot diameter ③ Filter mount ④ Filter size ⑤ Casing height ⑥ Distance to the casing flange ⑦ Connection length to spigot centre line ⑧ Overall dimensions of the casing ⑨ Flange width ⑩ Overall dimensions of the casing flange ⑪ Overall dimensions of the diffuser ⑫ Distance between screw holes, top suspension points ⑬ ~ Weight

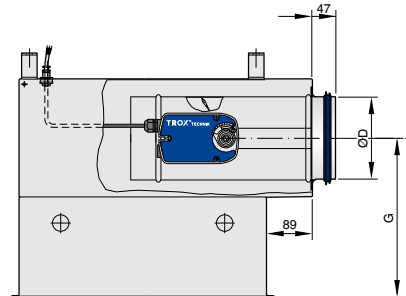
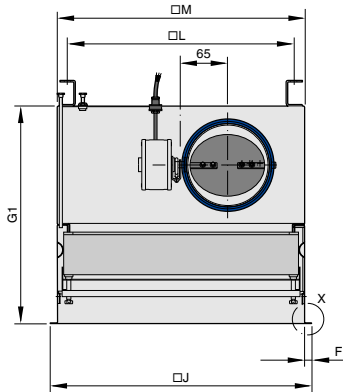
TFC-SCE

TFC-SCE, side view



TFC-SCE, suitable for filter size 345 × 345

TFC-SCE, suitable for filter size 345 × 345, side view



Product-specific data for TFC-SCE

All weights are net, without packaging

							Ceiling type 0 with ED			Other options				
1	2	3	4	5	7	8	9	10	11	9	10	11	12	17
NW	ØD	FA	B × H × T	G1*	G*	M	F**	J**	K	F	J	K	L	kg
400***	125	G	345 × 345 × 105	446	331	371	10	388	398	15	398	365	330	13
400***	125	G	345 × 345 × 91	446	331	371	10	388	398	15	398	365	330	13
400***	125	CF	345 × 345 × 90	428	313	371	10	388	398	15	398	365	330	13
400***	125	CF/FT	345 × 345 × 78	428	313	371	10	388	398	15	398	365	330	13
500	160	G	435 × 435 × 105	441	326	461	15	488	498	20	498	455	420	15.5
500	160	G	435 × 435 × 91	441	326	461	15	488	498	20	498	455	420	15.5
500	160	CF	435 × 435 × 90	423	308	461	15	488	498	20	498	455	420	15.5
500	160	CF/FT	435 × 435 × 78	423	308	461	15	488	498	20	498	455	420	15.5
600	200	G	535 × 535 × 105	441	326	561	15	588	598	20	598	555	520	19
600	200	G	535 × 535 × 91	441	326	561	15	588	598	20	598	555	520	19
600	200	CF	535 × 535 × 90	423	308	561	15	588	598	20	598	555	520	19
600	200	CF/FT	535 × 535 × 78	423	308	561	15	588	598	20	598	555	520	19
625	200	G	575 × 575 × 105	446	331	601	10	618	623	12	623	595	560	20
625	200	G	575 × 575 × 91	446	331	601	10	618	623	12	623	595	560	20
625	200	CF	575 × 575 × 90	428	313	601	10	618	623	12	623	595	560	20
625	200	CF/FT	575 × 575 × 78	428	313	601	10	618	623	12	623	595	560	20
680	200	G	610 × 610 × 105	441	326	636	15	663	676	21	676	630	595	22.5
680	200	G	610 × 610 × 91	441	326	636	15	663	676	21	676	630	595	22.5
680	200	CF	610 × 610 × 90	423	308	636	15	663	676	21	676	630	595	22.5
680	200	CF/FT	610 × 610 × 78	423	308	636	15	663	676	21	676	630	595	22.5
825	200	G	762 × 762 × 105	441	326	788	15	815	825	-	-	-	748	32
825	200	G	762 × 762 × 91	441	326	788	15	815	825	-	-	-	748	32



							Ceiling type 0 with ED			Other options				
1	2	3	4	5	7	8	9	10	11	9	10	11	12	17
NW	ØD	FA	B × H × T	G1*	G*	M	F**	J**	K	F	J	K	L	kg
825	200	CF	762 × 762 × 90	423	308	788	15	815	825	-	-	-	748	32
825	200	CF/FT	762 × 762 × 78	423	308	788	15	815	825	-	-	-	748	32

* Air terminal devices DLQL and PCD: G1, S, G + 40 mm

** Air terminal device Airnamic J: M + 3 mm; F = 0 mm (NW 600 and 625 only)

***NW 400 with recessed spigot

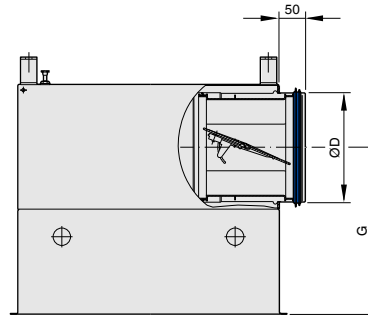
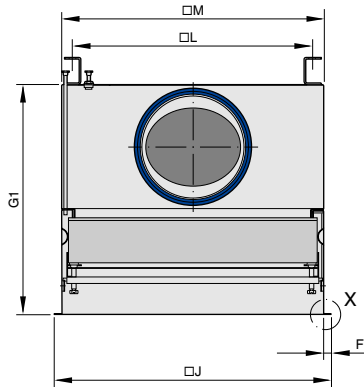
① Nominal size ② Spigot diameter ③ Filter mount ④ Filter size ⑤ Casing height ⑦ Connection length to spigot centre line ⑧

Overall dimensions of the casing ⑨ Flange width ⑩ Overall dimensions of the casing flange ⑪ Overall dimensions of the diffuser ⑫

Distance between screw holes, top suspension points ⑰ ~ Weight

TFC-SCV

TFC-SCV, side view



Product-specific data for TFC-SCV

All weights are net, without packaging

							Ceiling type 0 with ED			Other options				
1	2	3	4	5	7	8	9	10	11	9	10	11	12	17
NW	ØD	FA	B × H × T	G1*	G*	M	F**	J**	K	F	J	K	L	kg
400	160	G	345 × 345 × 105	446	331	371	10	388	398	15	398	365	330	11.5
400	160	G	345 × 345 × 91	446	331	371	10	388	398	15	398	365	330	11.5
400	160	CF	345 × 345 × 90	428	313	371	10	388	398	15	398	365	330	11.5
400	160	CF/FT	345 × 345 × 78	428	313	371	10	388	398	15	398	365	330	11.5
500	200	G	435 × 435 × 105	441	326	461	15	488	498	20	498	455	420	14.5
500	200	G	435 × 435 × 91	441	326	461	15	488	498	20	498	455	420	14.5
500	200	CF	435 × 435 × 90	423	308	461	15	488	498	20	498	455	420	14.5
500	200	CF/FT	435 × 435 × 78	423	308	461	15	488	498	20	498	455	420	14.5
600	250	G	535 × 535 × 105	491	351	561	15	588	598	20	598	555	520	19.5
600	250	G	535 × 535 × 91	491	351	561	15	588	598	20	598	555	520	19.5
600	250	CF	535 × 535 × 90	473	333	561	15	588	598	20	598	555	520	19.5
600	250	CF/FT	535 × 535 × 78	473	333	561	15	588	598	20	598	555	520	19.5
625	250	G	575 × 575 × 105	496	356	601	10	618	623	12	623	595	560	21
625	250	G	575 × 575 × 91	496	356	601	10	618	623	12	623	595	560	21
625	250	CF	575 × 575 × 90	478	338	601	10	618	623	12	623	595	560	21
625	250	CF/FT	575 × 575 × 78	478	338	601	10	618	623	12	623	595	560	21
680	250	G	610 × 610 × 105	491	351	636	15	663	676	21	676	630	595	25.5
680	250	G	610 × 610 × 91	491	351	636	15	663	676	21	676	630	595	25.5
680	250	CF	610 × 610 × 90	473	333	636	15	663	676	21	676	630	595	25.5
680	250	CF/FT	610 × 610 × 78	473	333	636	15	663	676	21	676	630	595	25.5
825	250	G	762 × 762 × 105	491	351	788	15	815	825	-	-	-	748	33
825	250	G	762 × 762 × 91	491	351	788	15	815	825	-	-	-	748	33
825	250	CF	762 × 762 × 90	473	333	788	15	815	825	-	-	-	748	33
825	250	CF/FT	762 × 762 × 78	473	333	788	15	815	825	-	-	-	748	33

* Air terminal devices DLQL and PCD: G1, S, G + 40 mm

** Air terminal device Airnamic J: M + 3 mm; F = 0 mm (NW 600 and 625 only)

① Nominal size ② Spigot diameter ③ Filter mount ④ Filter size ⑤ Casing height ⑦ Connection length to spigot centre line ⑩

Overall dimensions of the casing ⑨ Flange width ⑩ Overall dimensions of the casing flange ⑪ Overall dimensions of the diffuser ⑫

Distance between screw holes, top suspension points ⑰ ~ Weight

Product-specific data for TFC-SCD

All weights are net, without packaging

							Ceiling type 0 with ED			Other options				
1	2	3	4	5	7	8	9	10	11	9	10	11	12	17
NW	ØD	FA	B × H × T	G1*	G*	M	F**	J**	K	F	J	K	L	kg
400	158/198	G	345 × 345 × 105	463	344	371	10	388	398	15	398	365	330	12
400	158/198	G	345 × 345 × 91	463	344	371	10	388	398	15	398	365	330	12
400	158/198	CF	345 × 345 × 90	445	326	371	10	388	398	15	398	365	330	12
400	158/198	CF/FT	345 × 345 × 78	445	326	371	10	388	398	15	398	365	330	12
500	158/198	G	435 × 435 × 105	458	339	461	15	488	498	20	498	455	420	15
500	158/198	G	435 × 435 × 91	458	339	461	15	488	498	20	498	455	420	15
500	158/198	CF	435 × 435 × 90	441	322	461	15	488	498	20	498	455	420	15
500	158/198	CF/FT	435 × 435 × 78	441	322	461	15	488	498	20	498	455	420	15
600	198	G	535 × 535 × 105	458	339	561	15	588	598	20	598	555	520	19
600	198	G	535 × 535 × 91	458	339	561	15	588	598	20	598	555	520	19
600	198	CF	535 × 535 × 90	441	322	561	15	588	598	20	598	555	520	19
600	198	CF/FT	535 × 535 × 78	441	322	561	15	588	598	20	598	555	520	19
600	248	G	535 × 535 × 105	508	364	561	15	588	598	20	598	555	520	20
600	248	G	535 × 535 × 91	508	364	561	15	588	598	20	598	555	520	20
600	248	CF	535 × 535 × 90	491	347	561	15	588	598	20	598	555	520	20
600	248	CF/FT	535 × 535 × 78	491	347	561	15	588	598	20	598	555	520	20
600	313	G	535 × 535 × 105	573	396	561	15	588	598	20	598	555	520	21.5
600	313	G	535 × 535 × 91	573	396	561	15	588	598	20	598	555	520	21.5
600	313	CF	535 × 535 × 90	556	379	561	15	588	598	20	598	555	520	21.5
600	313	CF/FT	535 × 535 × 78	556	379	561	15	588	598	20	598	555	520	21.5
625	198	G	575 × 575 × 105	463	344	601	10	618	623	12	623	595	560	21
625	198	G	575 × 575 × 91	463	344	601	10	618	623	12	623	595	560	21
625	198	CF	575 × 575 × 90	446	327	601	10	618	623	12	623	595	560	21
625	198	CF/FT	575 × 575 × 78	446	327	601	10	618	623	12	623	595	560	21
625	248	G	575 × 575 × 105	513	369	601	10	618	623	12	623	595	560	22
625	248	G	575 × 575 × 91	513	369	601	10	618	623	12	623	595	560	22
625	248	CF	575 × 575 × 90	496	352	601	10	618	623	12	623	595	560	22
625	248	CF/FT	575 × 575 × 78	496	352	601	10	618	623	12	623	595	560	22
625	313	G	575 × 575 × 105	578	401	601	10	618	623	12	623	595	560	23.5
625	313	G	575 × 575 × 91	578	401	601	10	618	623	12	623	595	560	23.5
625	313	CF	575 × 575 × 90	561	384	601	10	618	623	12	623	595	560	23.5
625	313	CF/FT	575 × 575 × 78	561	384	601	10	618	623	12	623	595	560	23.5
680	248	G	610 × 610 × 105	508	364	636	15	663	676	21	676	630	595	25
680	248	G	610 × 610 × 91	508	364	636	15	663	676	21	676	630	595	25
680	248	CF	610 × 610 × 90	491	347	636	15	663	676	21	676	630	595	25
680	248	CF/FT	610 × 610 × 78	491	347	636	15	663	676	21	676	630	595	25
680	313	G	610 × 610 × 105	573	396	636	15	663	676	21	676	630	595	26
680	313	G	610 × 610 × 91	573	396	636	15	663	676	21	676	630	595	26
680	313	CF	610 × 610 × 90	556	379	636	15	663	676	21	676	630	595	26
680	313	CF/FT	610 × 610 × 78	556	379	636	15	663	676	21	676	630	595	26
825	248	G	762 × 762 × 105	508	364	788	15	815	825	-	-	-	748	32
825	248	G	762 × 762 × 91	508	364	788	15	815	825	-	-	-	748	32
825	248	CF	762 × 762 × 90	491	347	788	15	815	825	-	-	-	748	32
825	248	CF/FT	762 × 762 × 78	491	347	788	15	815	825	-	-	-	748	32
825	313	G	762 × 762 × 105	572	396	788	15	815	825	-	-	-	748	34
825	313	G	762 × 762 × 91	572	396	788	15	815	825	-	-	-	748	34
825	313	CF	762 × 762 × 90	556	379	788	15	815	825	-	-	-	748	34
825	313	CF/FT	762 × 762 × 78	556	379	788	15	815	825	-	-	-	748	34

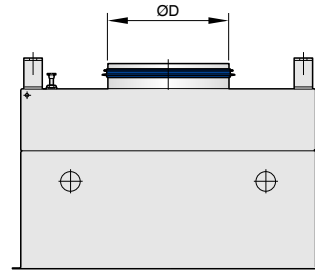
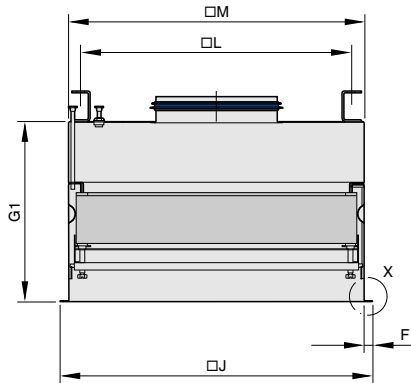
* Air terminal devices DLQL and PCD: G1, S, G + 40 mm

** Air terminal device Airnamic J: M + 3 mm; F = 0 mm (NW 600 and 625 only)

① Nominal size ② Spigot diameter ③ Filter mount ④ Filter size ⑤ Casing height ⑦ Connection length to spigot centre line ⑧ Overall dimensions of the casing ⑨ Flange width ⑩ Overall dimensions of the casing flange ⑪ Overall dimensions of the diffuser ⑫ Distance between screw holes, top suspension points ⑬ Casing overhang ⑰ ~ Weight

TFC-TC, -TCA

TFC-TC, -TCA, side view



Product-specific data for TFC-TC, -TCA

All weights are net, without packaging

						Ceiling type 0 with ED			Other options				
1	2	3	4	5	8	9	10	11	9	10	11	12	17
NW	ØD	FA	B × H × T	G1*	M	F**	J**	K	F**	J**	K	L	kg
400	158/198	G	345 × 345 × 105	317	371	10	388	398	15	398	365	330	9
400	158/198	G	345 × 345 × 91	317	371	10	388	398	15	398	365	330	9
400	158/198	CF	345 × 345 × 90	299	371	10	388	398	15	398	365	330	9
400	158/198	CF/FT	345 × 345 × 78	299	371	10	388	398	15	398	365	330	9
400	158/198	CFL/FTL	345 × 345 × 150	371	371	10	388	398	15	398	365	330	10.5
500	158/198	G	435 × 435 × 105	312	461	15	488	498	20	498	455	420	11
500	158/198	G	435 × 435 × 91	312	461	15	488	498	20	498	455	420	11
500	158/198	CF	435 × 435 × 90	294	461	15	488	498	20	498	455	420	11
500	158/198	CF/FT	435 × 435 × 78	294	461	15	488	498	20	498	455	420	11
500	158/198	CFL/FTL	435 × 435 × 150	366	461	15	488	498	20	498	455	420	13.5
600	198/248/313	G	535 × 535 × 105	312	561	15	588	598	20	598	555	520	14
600	198/248/313	G	535 × 535 × 91	312	561	15	588	598	20	598	555	520	14
600	198/248/313	CF	535 × 535 × 90	294	561	15	588	598	20	598	555	520	14
600	198/248/313	CF/FT	535 × 535 × 78	294	561	15	588	598	20	598	555	520	14
600	198/248/313	CFL/FTL	535 × 535 × 150	366	561	15	588	598	20	598	555	520	17
625	198/248/313	G	575 × 575 × 105	317	601	10	618	623	12	623	595	560	15
625	198/248/313	G	575 × 575 × 91	317	601	10	618	623	12	623	595	560	15
625	198/248/313	CF	575 × 575 × 90	299	601	10	618	623	12	623	595	560	15
625	198/248/313	CF/FT	575 × 575 × 78	299	601	10	618	623	12	623	595	560	15
625	198/248/313	CFL/FTL	575 × 575 × 150	371	601	10	618	623	12	623	595	560	18
680	248/313	G	610 × 610 × 105	312	636	15	663	676	21	676	630	595	17
680	248/313	G	610 × 610 × 91	312	636	15	663	676	21	676	630	595	17
680	248/313	CF	610 × 610 × 90	294	636	15	663	676	21	676	630	595	17
680	248/313	CF/FT	610 × 610 × 78	294	636	15	663	676	21	676	630	595	17
680	248/313	CFL/FTL	610 × 610 × 150	366	636	15	663	676	21	676	630	595	19.5
825	248/313	G	762 × 762 × 105	312	788	15	815	825	-	-	-	748	24
825	248/313	G	762 × 762 × 91	312	788	15	815	825	-	-	-	748	24
825	248/313	CF	762 × 762 × 90	294	788	15	815	825	-	-	-	748	24
825	248/313	CF/FT	762 × 762 × 78	294	788	15	815	825	-	-	-	748	24
825	248/313	CFL/FTL	762 × 762 × 150	366	788	15	815	825	-	-	-	748	27

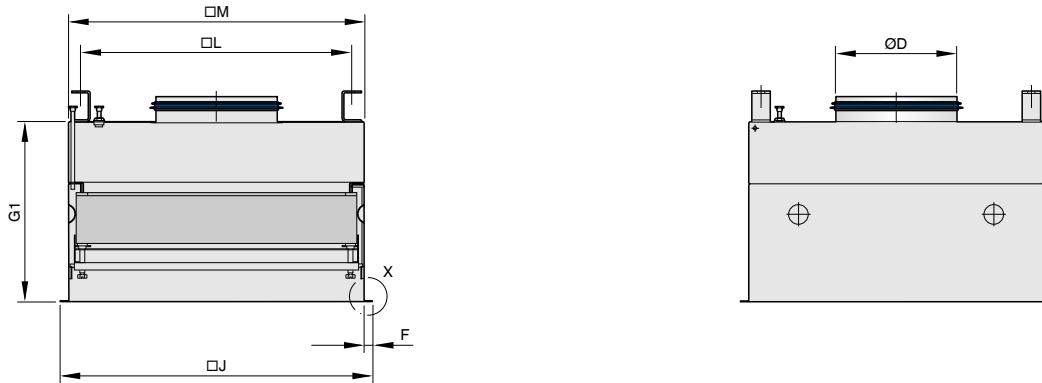
* Air terminal devices DLQL and PCD: G1, S, G + 40 mm

** Air terminal device Airnamic J: M + 3 mm; F = 0 mm (NW 600 and 625 only)

① Nominal size ② Spigot diameter ③ Filter mount ④ Filter size ⑤ Casing height ⑥ Overall dimensions of the casing ⑦ Flange width ⑧ Overall dimensions of the flange ⑨ Overall dimensions of the diffuser ⑩ Distance between screw holes, top suspension points ⑪ ~ Weight

TFC-TCM

TFC-TCM, side view



Product-specific data for TFC-TCM

All weights are net, without packaging

						Ceiling type 0 with ED			Other options				
1	2	3	4	5	8	9	10	11	9	10	11	12	17
NW	ØD	FA	B × H × T	G1*	M	F**	J**	K	F**	J**	K	L	kg
400	158/198	G	345 × 345 × 105	317	371	10	388	398	15	398	365	330	9
400	158/198	G	345 × 345 × 91	317	371	10	388	398	15	398	365	330	9
400	158/198	CF	345 × 345 × 90	299	371	10	388	398	15	398	365	330	9
400	158/198	CF/FT	345 × 345 × 78	299	371	10	388	398	15	398	365	330	9
400	158/198	CFL/FTL	345 × 345 × 150	371	371	10	388	398	15	398	365	330	10.5
500	158/198	G	435 × 435 × 105	312	461	15	488	498	20	498	455	420	11
500	158/198	G	435 × 435 × 91	312	461	15	488	498	20	498	455	420	11
500	158/198	CF	435 × 435 × 90	294	461	15	488	498	20	498	455	420	11
500	158/198	CF/FT	435 × 435 × 78	294	461	15	488	498	20	498	455	420	11
500	158/198	CFL/FTL	435 × 435 × 150	366	461	15	488	498	20	498	455	420	13.5
600	198/248	G	535 × 535 × 105	312	561	15	588	598	20	598	555	520	14
600	198/248	G	535 × 535 × 91	312	561	15	588	598	20	598	555	520	14
600	198/248	CF	535 × 535 × 90	294	561	15	588	598	20	598	555	520	14
600	198/248	CF/FT	535 × 535 × 78	294	561	15	588	598	20	598	555	520	14
600	198/248	CFL/FTL	535 × 535 × 150	366	561	15	588	598	20	598	555	520	17
600	313	G	535 × 535 × 105	362	561	15	588	598	20	598	555	520	15
600	313	G	535 × 535 × 91	362	561	15	588	598	20	598	555	520	15
600	313	CF	535 × 535 × 90	344	561	15	588	598	20	598	555	520	15
600	313	CF/FT	535 × 535 × 78	344	561	15	588	598	20	598	555	520	15
600	313	CFL/FTL	535 × 535 × 150	416	561	15	588	598	20	598	555	520	18
625	198/248	G	575 × 575 × 105	317	601	10	618	623	12	623	595	560	15.5
625	198/248	G	575 × 575 × 91	317	601	10	618	623	12	623	595	560	15.5
625	198/248	CF	575 × 575 × 90	299	601	10	618	623	12	623	595	560	15.5
625	198/248	CF/FT	575 × 575 × 78	299	601	10	618	623	12	623	595	560	15.5
625	198/248	CFL/FTL	575 × 575 × 150	371	601	10	618	623	12	623	595	560	18.5
625	313	G	575 × 575 × 105	367	601	10	618	623	12	623	595	560	17
625	313	G	575 × 575 × 91	367	601	10	618	623	12	623	595	560	17
625	313	CF	575 × 575 × 90	349	601	10	618	623	12	623	595	560	17
625	313	CF/FT	575 × 575 × 78	349	601	10	618	623	12	623	595	560	17
625	313	CFL/FTL	575 × 575 × 150	421	601	10	618	623	12	623	595	560	20
680	248	G	610 × 610 × 105	312	636	15	663	676	21	676	630	595	18
680	248	G	610 × 610 × 91	312	636	15	663	676	21	676	630	595	18
680	248	CF	610 × 610 × 90	294	636	15	663	676	21	676	630	595	18
680	248	CF/FT	610 × 610 × 78	294	636	15	663	676	21	676	630	595	18
680	248	CFL/FTL	610 × 610 × 150	366	636	15	663	676	21	676	630	595	20
680	313	G	610 × 610 × 105	362	636	15	663	676	21	676	630	595	19
680	313	G	610 × 610 × 91	362	636	15	663	676	21	676	630	595	19
680	313	CF	610 × 610 × 90	344	636	15	663	676	21	676	630	595	19
680	313	CF/FT	610 × 610 × 78	344	636	15	663	676	21	676	630	595	19
680	313	CFL/FTL	610 × 610 × 150	416	636	15	663	676	21	676	630	595	21

						Ceiling type 0 with ED			Other options				
1	2	3	4	5	8	9	10	11	9	10	11	12	17
NW	∅D	FA	B × H × T	G1*	M	F**	J**	K	F**	J**	K	L	kg
825	248	G	762 × 762 × 105	312	788	15	815	825	-	-	-	748	25
825	248	G	762 × 762 × 91	312	788	15	815	825	-	-	-	748	25
825	248	CF	762 × 762 × 90	294	788	15	815	825	-	-	-	748	25
825	248	CF/FT	762 × 762 × 78	294	788	15	815	825	-	-	-	748	25
825	248	CFL/FTL	762 × 762 × 150	366	788	15	815	825	-	-	-	748	28
825	313	G	610 × 610 × 105	362	788	15	815	825	-	-	-	748	27
825	313	G	610 × 610 × 91	362	788	15	815	825	-	-	-	748	27
825	313	CF	610 × 610 × 90	344	788	15	815	825	-	-	-	748	27
825	313	CF/FT	610 × 610 × 78	344	788	15	815	825	-	-	-	748	27
825	313	CFL/FTL	610 × 610 × 150	416	788	15	815	825	-	-	-	748	29.5

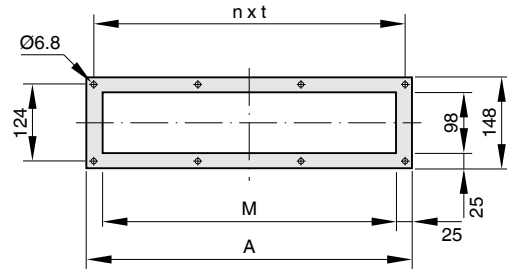
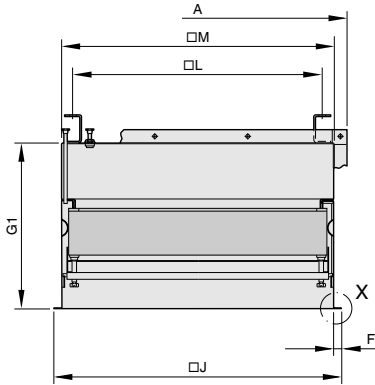
* Air terminal devices DLQL and PCD: G1, S, G + 40 mm

** Air terminal device Airnamic J: M + 3 mm; F = 0 mm (NW 600 and 625 only)

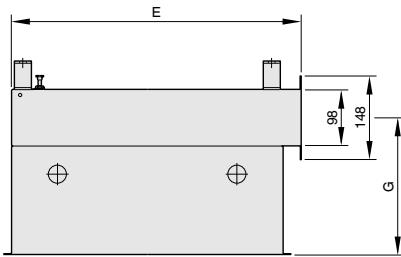
① Nominal size ② Spigot diameter ③ Filter mount ④ Filter size ⑤ Casing height ⑥ Overall dimensions of the casing ⑦ Flange width ⑧ Overall dimensions of the flange ⑨ Overall dimensions of the diffuser ⑩ Distance between screw holes, top suspension points ⑪ ~ Weight

TFC-SR

TFC-SR flange dimensions



TFC-SR, side view



Product-specific data for TFC-SR

All weights are net, without packaging

						Ceiling type 0 with ED			Other options							
1	3	4	5	7	8	9	10	11	9	10	11	12	14	15	16	17
NW	FA	B × H × T	G1*	G	M	F**	J**	K	F**	J**	K	L	A	n × t	E	kg
400	G	345 × 345 × 105	317	267	371	10	388	398	15	398	365	330	418	3 × 131	401	9
400	G	345 × 345 × 91	317	267	371	10	388	398	15	398	365	330	418	3 × 131	401	9
400	CF	345 × 345 × 90	299	249	371	10	388	398	15	398	365	330	418	3 × 131	401	9
400	CF/FT	345 × 345 × 78	299	249	371	10	388	398	15	398	365	330	418	3 × 131	401	9
400	CFL/FTL	345 × 345 × 150	371	321	371	10	388	398	15	398	365	330	418	3 × 131	401	9
500	G	435 × 435 × 105	312	262	461	15	488	498	20	498	455	420	508	3 × 161	491	11
500	G	435 × 435 × 91	312	262	461	15	488	498	20	498	455	420	508	3 × 161	491	11
500	CF	435 × 435 × 90	294	244	461	15	488	498	20	498	455	420	508	3 × 161	491	11
500	CF/FT	435 × 435 × 78	294	244	461	15	488	498	20	498	455	420	508	3 × 161	491	11
500	CFL/FTL	435 × 435 × 150	366	316	461	15	488	498	20	498	455	420	508	3 × 161	491	11
600	G	535 × 535 × 105	312	262	561	15	588	598	20	598	555	520	608	4 × 146	591	14
600	G	535 × 535 × 91	312	262	561	15	588	598	20	598	555	520	608	4 × 146	591	14
600	CF	535 × 535 × 90	294	244	561	15	588	598	20	598	555	520	608	4 × 146	591	14
600	CF/FT	535 × 535 × 78	294	244	561	15	588	598	20	598	555	520	608	4 × 146	591	14
600	CFL/FTL	535 × 535 × 150	366	316	561	15	588	598	20	598	555	520	608	4 × 146	591	14
625	G	575 × 575 × 105	317	267	601	10	618	623	12	623	595	560	648	4 × 156	631	15
625	G	575 × 575 × 91	317	267	601	10	618	623	12	623	595	560	648	4 × 156	631	15
625	CF	575 × 575 × 90	299	249	601	10	618	623	12	623	595	560	648	4 × 156	631	15
625	CF/FT	575 × 575 × 78	299	249	601	10	618	623	12	623	595	560	648	4 × 156	631	15
625	CFL/FTL	575 × 575 × 150	371	321	601	10	618	623	12	623	595	560	648	4 × 156	631	15
680	G	610 × 610 × 105	312	262	636	15	663	676	21	676	630	595	683	4 × 165	666	17.5
680	G	610 × 610 × 91	312	262	636	15	663	676	21	676	630	595	683	4 × 165	666	17.5
680	CF	610 × 610 × 90	294	244	636	15	663	676	21	676	630	595	683	4 × 165	666	17.5

						Ceiling type 0 with ED			Other options							
1	3	4	5	7	8	9	10	11	9	10	11	12	14	15	16	17
NW	FA	B × H × T	G1*	G	M	F**	J**	K	F**	J**	K	L	A	n × t	E	kg
680	CF/FT	610 × 610 × 78	294	244	636	15	663	676	21	676	630	595	683	4 × 165	666	17.5
680	CFL/FTL	610 × 610 × 150	366	316	636	15	663	676	21	676	630	595	683	4 × 165	666	17.5
825	G	762 × 762 × 105	312	262	788	15	815	825	-	-	-	748	835	4 × 203	818	24.5
825	G	762 × 762 × 91	312	262	788	15	815	825	-	-	-	748	835	4 × 203	818	24.5
825	CF	762 × 762 × 90	294	244	788	15	815	825	-	-	-	748	835	4 × 203	818	24.5
825	CF/FT	762 × 762 × 78	294	244	788	15	815	825	-	-	-	748	835	4 × 203	818	24.5
825	CFL/FTL	762 × 762 × 150	366	313	788	15	815	825	-	-	-	748	835	4 × 203	818	24.5

* Air terminal devices DLQL and PCD: G1, S, G + 40 mm

** Air terminal device Airnamic J: M + 3 mm; F = 0 mm (NW 600 and 625 only)

① Nominal size ③ Filter mount ④ Filter size ⑤ Casing height ⑦ Connection length to spigot centre line ⑧ Overall dimensions of the casing ⑨ Flange width ⑩ Overall dimensions of the casing flange ⑪ Overall dimensions of the diffuser ⑫ Distance between screw holes, top suspension points ⑬ Overall dimensions of the flange ⑭ No. of flange screw holes × screw hole pitch ⑮ Overall dimensions over flange ⑯ ~ Weight